



WATCHMAN®
Your Virtual Security Guard



OmniPoint
Wireless Multi-Point
Access Control

UNIFY

Parts/Accessories

by  cellgate



Solar Power Kit

Quick Install Guide

Parts: PWR-710
(W410)
PWR-750
(W450-WXL)

Wiring the SunSaver: PWR-710

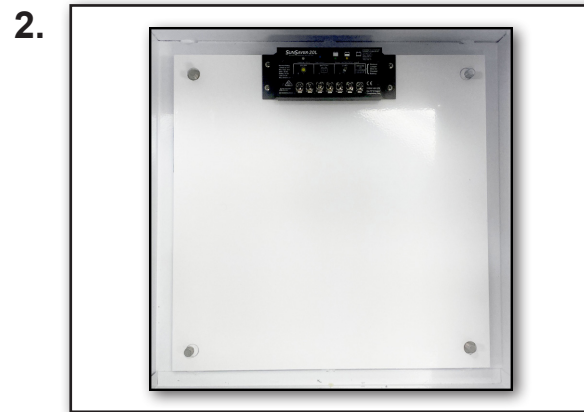
Follow the instructions below to mount the SunSaver and wire it to the battery.

Components:

1. Enclosure Box
2. Mounting Plate
3. SunSaver 20L

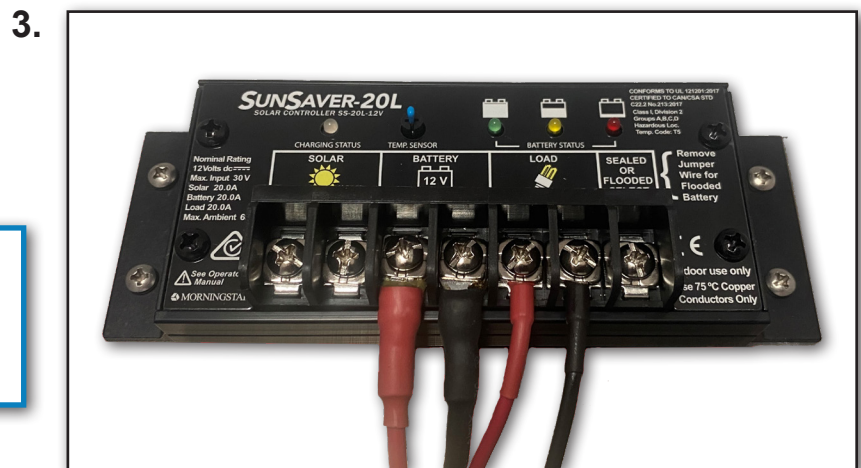
Mounting Info:

- Open the Enclosure Box by undoing the latch.
- The mounting plate is located in the back of the box as pictured in image 2 to the right.
- The SunSaver should be mounted at the top of the plate as pictured.
- The Battery can be placed inside the box on the bottom.



Wiring the SunSaver:

- The SunSaver comes with 4 wires already connected to the battery and load. Positive + and Negative -
- Connect the other end of the Load wires to whatever equipment you want to power (e.g. a camera)
- Connect the other end of the battery cables to the battery.



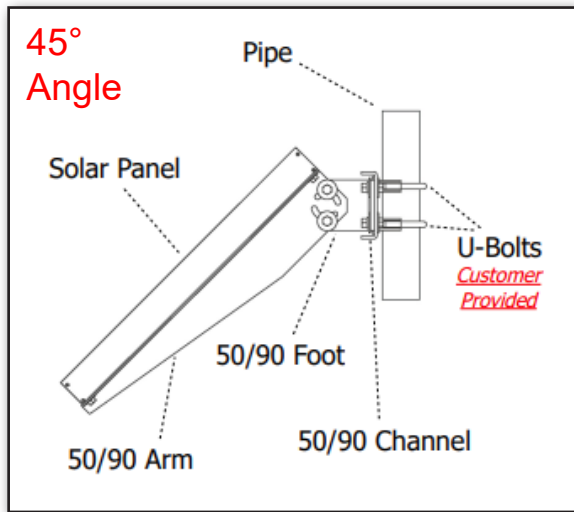
Compatible batteries: 27, 29, and 31 Deep-Cycle 100AH Marine Batteries.
Batteries not included.

Mounting Solar Panel: PWR-710

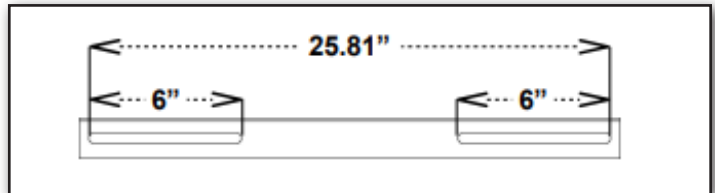
Follow the instructions below to mount the solar panel to the post.

Identifying the Mounting Parts:

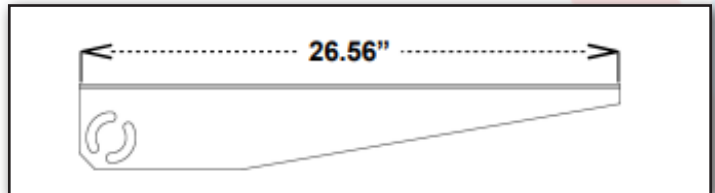
Complete Install:



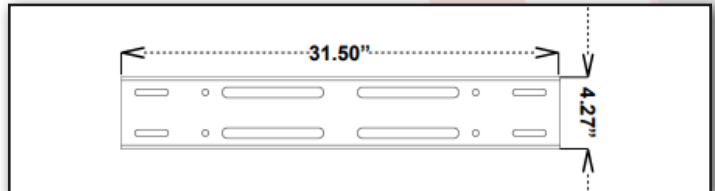
Foot:



Arm:



Channel:

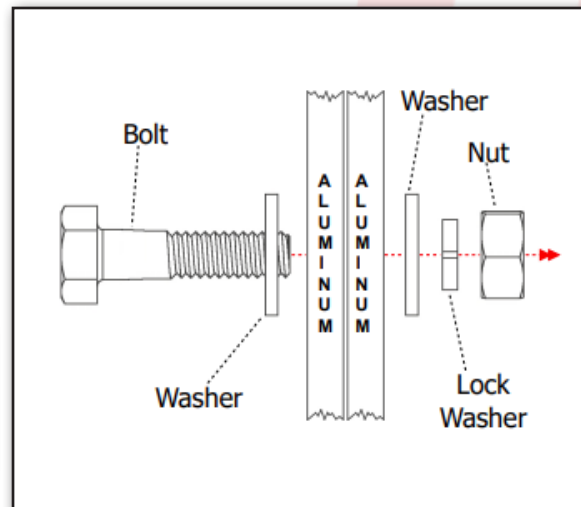


Connecting the parts:

1. Bolt the Arm to the solar panel.
2. Bolt the Channel to the pole using the U-Bolts (not provided).
3. Test to make sure the Arm fits in the Channel correctly. The bolts may need to face outward or inward.
4. Bolt the Arm to the Foot.
5. Finally bolt the Foot to the Channel.

NOTE

The U-Bolts for the solar panel mounting are not provided in the kit. They will need to be purchased separately.

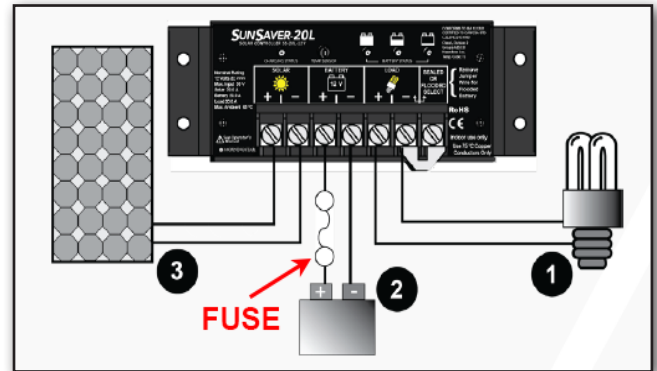


Wiring the Solar Panel: PWR-710

Follow the instructions below to connect the solar panel to the SunSaver.

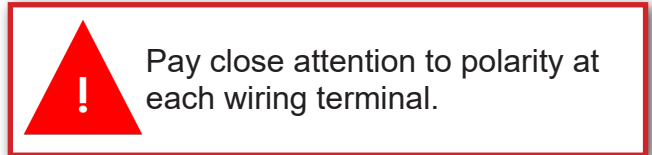
More about the SunSaver Wiring:

1. Load
2. Battery
3. Solar Panel







Connecting the Solar Wires:

- Now you should have your SunSaver mounted in your box, and your solar panel mounted to the post.
- Connect the power wires from the solar panel to the furthest two terminals to the left on your SunSaver.



Status LED Indicators:

- The Status LED indicates charging status and any existing solar input error conditions.
- The Status LED is on when charging during the day and off at night.
- The Status LED will flash red whenever an error condition(s) exists.

Color	Indication	Operating State
None 	Off (w/Heartbeat)	Night
Green 	On Solid (w/Heartbeat)	Charging
Red 	Flashing	Error
Red 	On Solid (w/Heartbeat)	Critical Error

Wiring the SunSaver: PWR-750

Follow the instructions below to mount the SunSaver and wire it to the battery.

Components:

1. Enclosure Box
2. Mounting Plate
3. SunSaver 20L

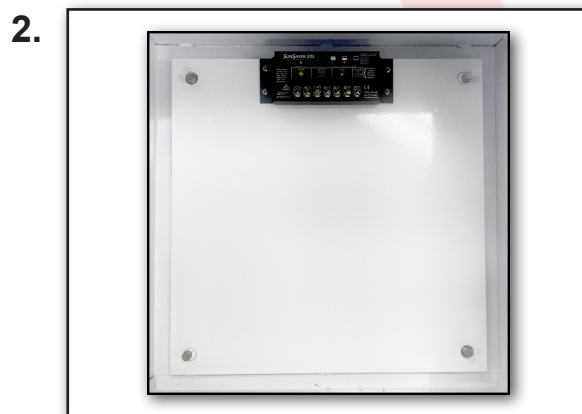
Mounting Info:

- Open the Enclosure Box by undoing the latch.
- The mounting plate is located in the back of the box as pictured in image 2 to the right.
- The SunSaver should be mounted at the top of the plate as pictured.
- The Batteries can be placed inside the box on the bottom.

Wiring the SunSaver:

- The SunSaver comes with 4 wires already connected to the battery and load. Positive + and Negative -
- Connect the other end of the Load wires to whatever equipment you want to power (e.g. a camera)
- Connect the other end of the battery cables to the battery.

The PWR-750 kit requires 2 batteries. 4 wires are pre-wired to the SunSaver. Wire them to the batteries in parallel.

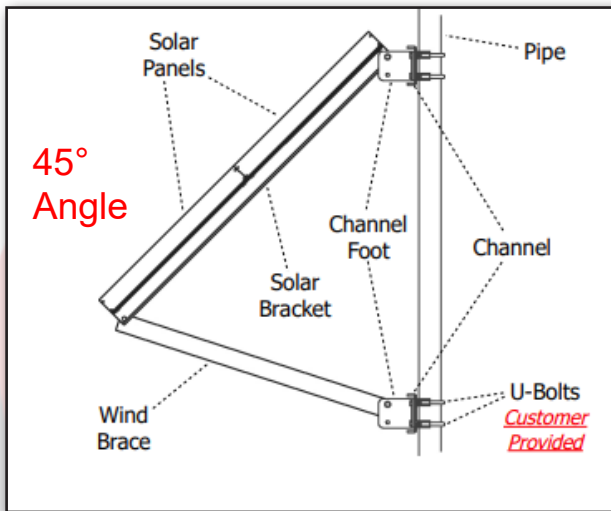


Mounting Solar Panel: PWR-750

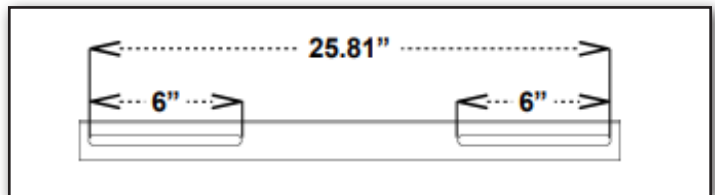
Follow the instructions below to mount the solar panel to the post.

Identifying the Mounting Parts:

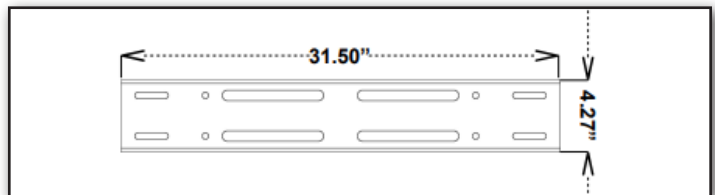
Complete Install:



Channel Foot:



Channel:

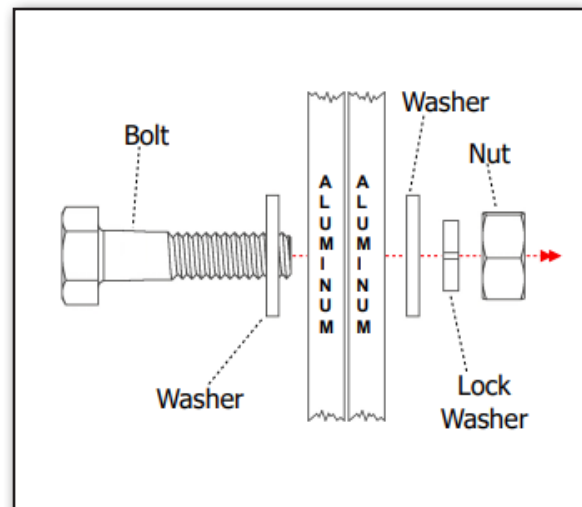


Connecting the parts:

1. Bolt the Solar Bracket to the solar panels.
2. Bolt Both Channels to the pole using the U-Bolts (not provided).
3. Using the Wind Brace, adjust the Solar Bracket to a **45° Angle**. The bolts may need to face outward or inward.
4. Bolt the Solar Bracket and Wind Brace to the top and bottom Channel Foot.
5. Bolt the top Channel foot to the top Channel, and the bottom to the bottom.

NOTE

The U-Bolts for the solar panel mounting are not provided in the kit. They will need to be purchased separately.

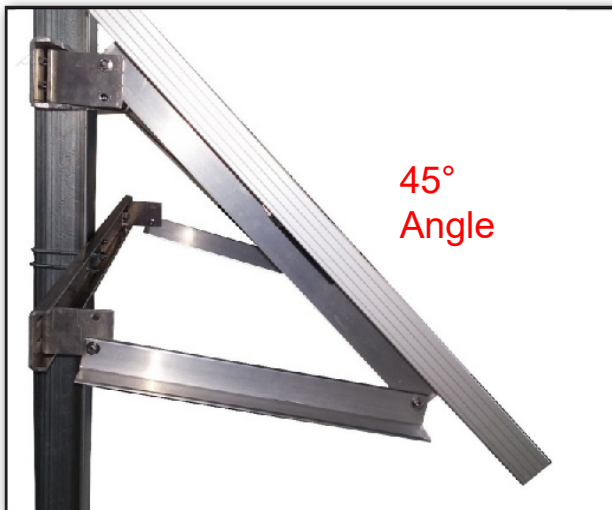


Mounting Solar Panel: PWR-750

Use the guide below with images in conjunction with the previous page.

Guide with Pictures of Mounting:

Complete Install:



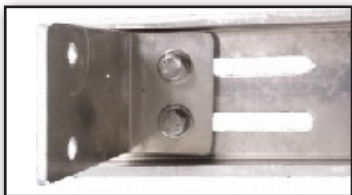
Connecting Panel to Channel:



3. Attach the panel to the top channel using the larger bolts.
4. The panel should be allowed to swing freely to allow installation of wind brace legs and properly set final angle to maximize power output.

Channel Foot:

1. Connect the Angle Brackets to the ends of the Channels as seen below:



Connecting Wind Brace to Channel:



Back of Panel:

2. Attach the longer angle to the back of the panel matching the holes in the panel to the holes in the angle using the smaller bolts.



5. Attach legs of the wind brace to the panel. It is recommended the flat side of the wind brace faces the ground.
6. Make sure the solar panel is positioned at a **45°** angle.

Wiring the Solar Panel: PWR-750

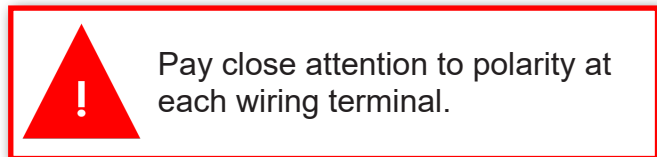
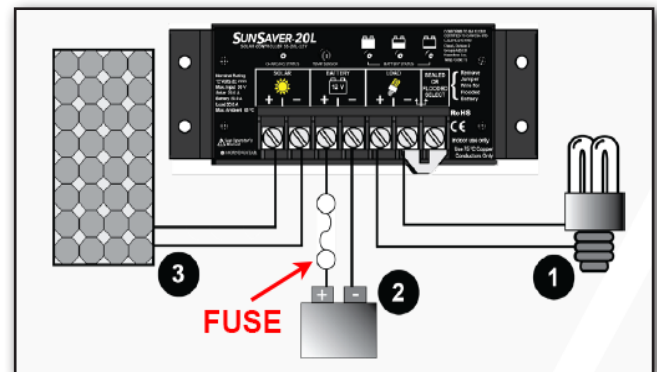
. Follow the instructions below to connect the solar panel to the SunSaver.

More about the SunSaver Wiring:

1. Load
2. Battery
3. Solar Panel





Connecting the Solar Wires:

- Now you should have your SunSaver mounted in your box, and your solar panel mounted to the post.
- Connect the power wires from the solar panel to the furthest two terminals to the left on your SunSaver.



Status LED Indicators:

- The Status LED indicates charging status and any existing solar input error conditions.
- The Status LED is on when charging during the day and off at night.
- The Status LED will flash red whenever an error condition(s) exists.

Color	Indication	Operating State
None 	Off (w/Heartbeat)	Night
Green 	On Solid (w/Heartbeat)	Charging
Red 	Flashing	Error
Red 	On Solid (w/Heartbeat)	Critical Error



WATCHMAN[®]
Your Virtual Security Guard



OmniPoint
Wireless Multi-Point
Access Control

UNIFY

Parts/Accessories

by  **cellgate**

Notes:

