

WATCHMAN[®]

Your Virtual Security Guard

WXL



WXL Pedestal and Flush Mount

Quick Install Guide

**AA1XLPE ATT, AA1XLPE VZN,
AA1XLPE INT, AA1XLPE VPN**

**AA1XLSM ATT, AA1XLSM VZN,
AA1XLSM INT, AA1XLSM VPN**



Items Included in Kit

The following items are included in your WXL delivery.

1. Watchman XL Unit

2. 12 Volt DC Power Supply

3. Magnetic Read Switch

4. Keys

5. Nuts **X 4**

6. Bolts **X 4**

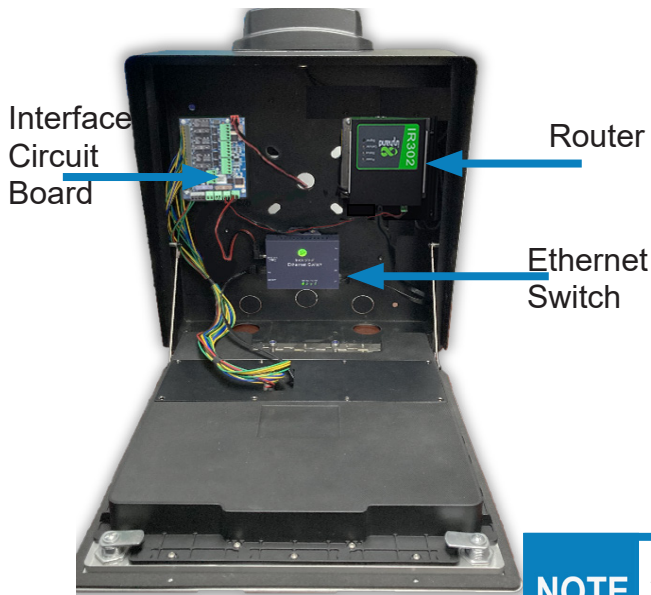
7. Install Guide

8. Customer Information Packet

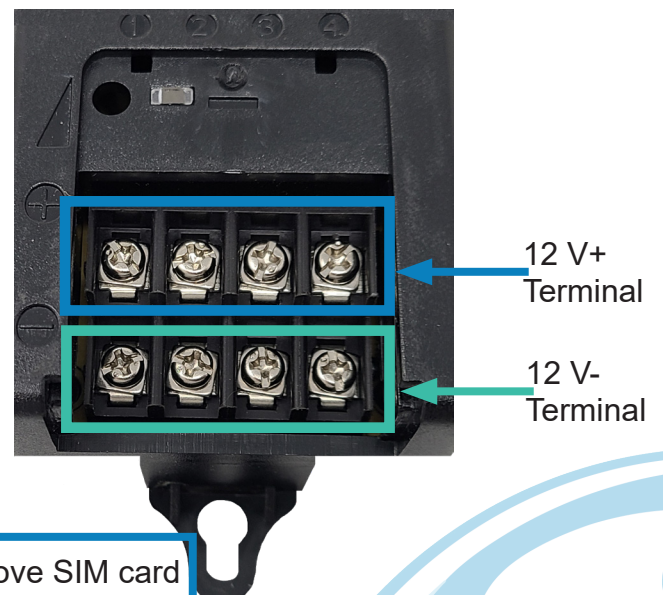
NOTE Leave one key with the customer.

Wiring Examples

Watchman XL Unit



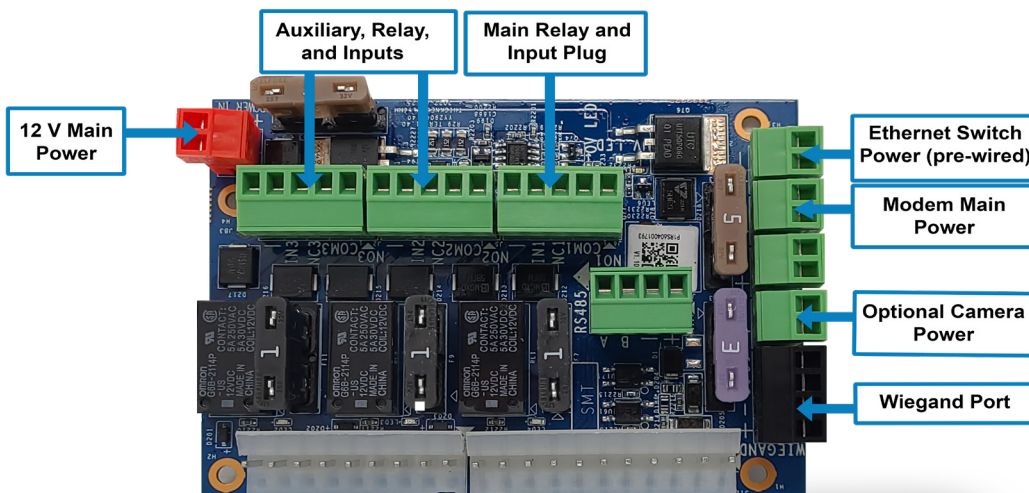
Power Supply Wiring



NOTE Do not remove SIM card from the in-hand modem.

! Recommended wiring: 18/6 shielded for main device, and 18/4 shielded for optional Wiegand devices.

Interface Circuit Board



If you requested an expansion board, we installed it.

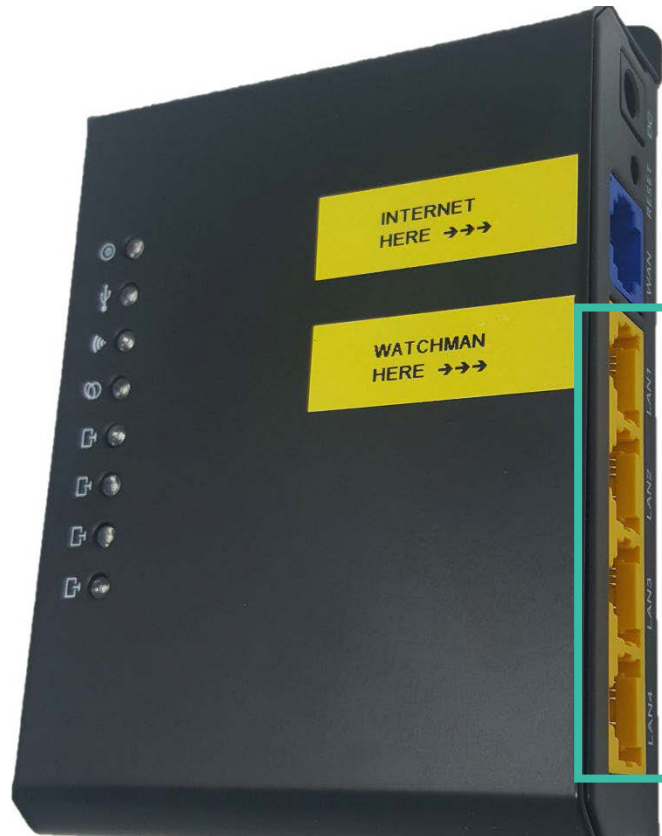
We recommend the following gauges (ga) for each distance:

- 18 ga stranded: up to 25 ft
- 16 ga stranded: up to 50 ft
- 12 ga stranded: up to 60 ft



Internet Router Connection

Product Numbers: AA1XLPE INT, AA1XLSM INT



NOTE Router supports external camera.

← Plug customer Internet into the blue port

← Plug Watchman into any yellow port

← Plug optional external cameras into any yellow port

VPN Connection

Product Numbers: AA1XLPE VPN, AA1XLSM VPN

The VPN connection ships DHCP enabled and **does not** support external cameras.

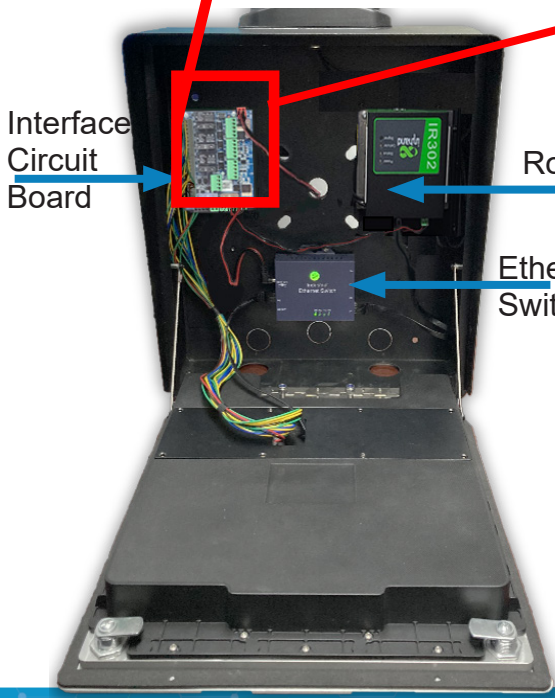
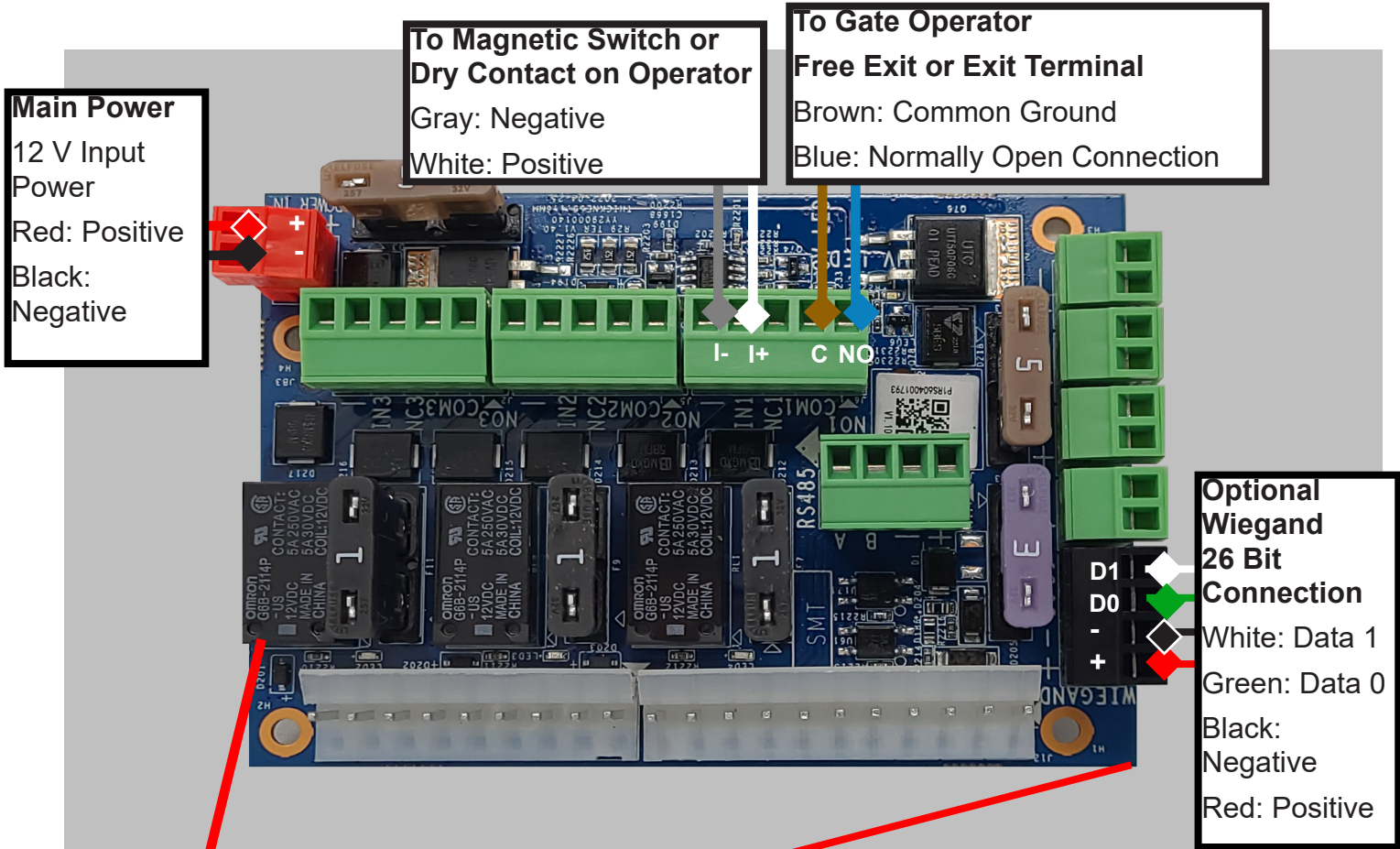
In the image to the left, the black chord is the Ethernet connection.



NOTE VPN **does not** support external camera.



Interface Wiring Diagram
Oriented the same as the Watchman install



6-Wire Instructions - Power and Gate Operator

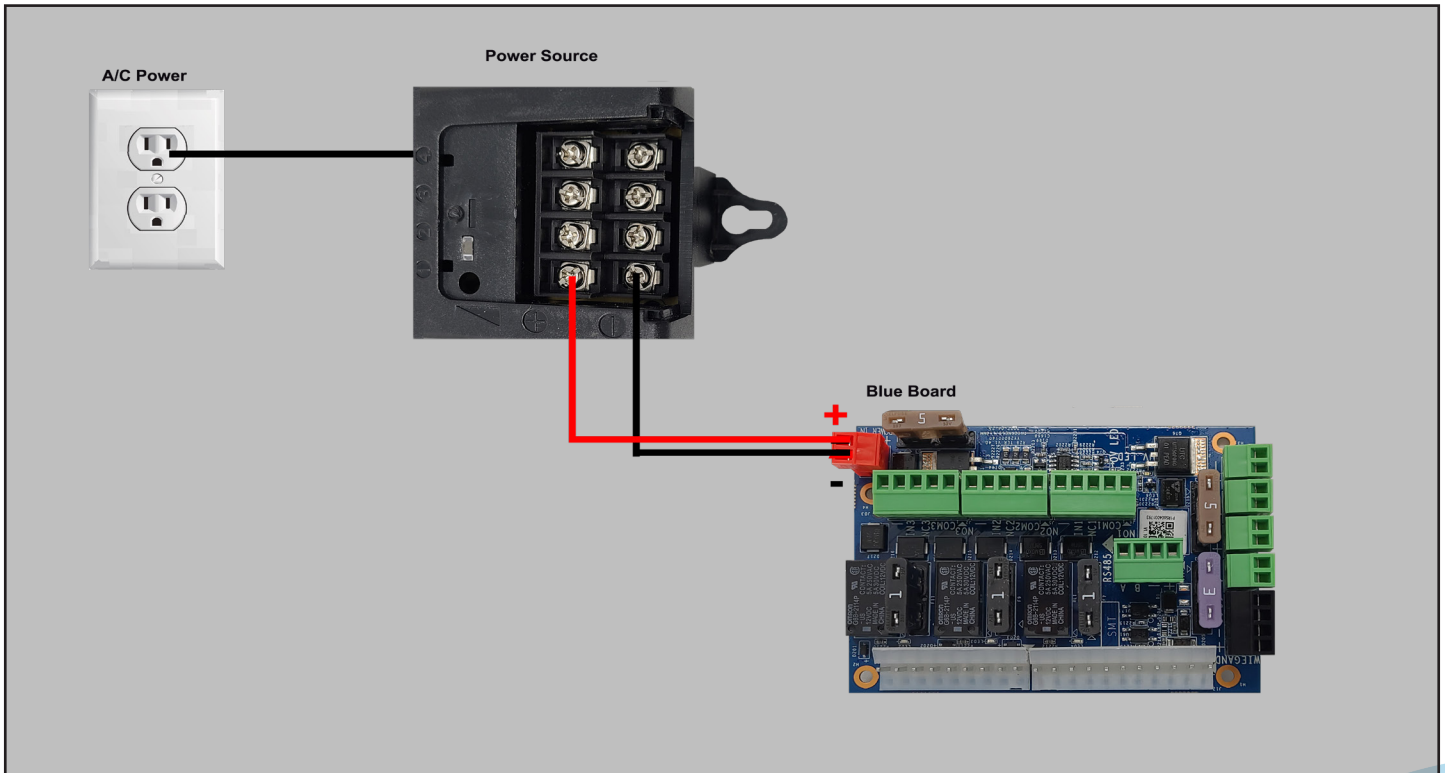
1. Wire main power from the transformer to the power connector on the circuit board.
2. Connect gate trigger wires from the Normally Open (NO) and Common (C) to the free-exit or exit terminals on the gate operator.
3. Connect the gate status wires on the 6-pin connector on the main relay and input plug to the magnetic switch or a Dry Contact, Normally Closed (NC) relay on the gate operator.
4. If using an optional 26-bit reader (keypad, card reader, RFID, or clicker), wire the device to the Wiegand connection on the interface circuit board.
5. Use Camera Guide if adding optional external camera.
6. Test/activate using the test credentials on the Activation & Test Process document.



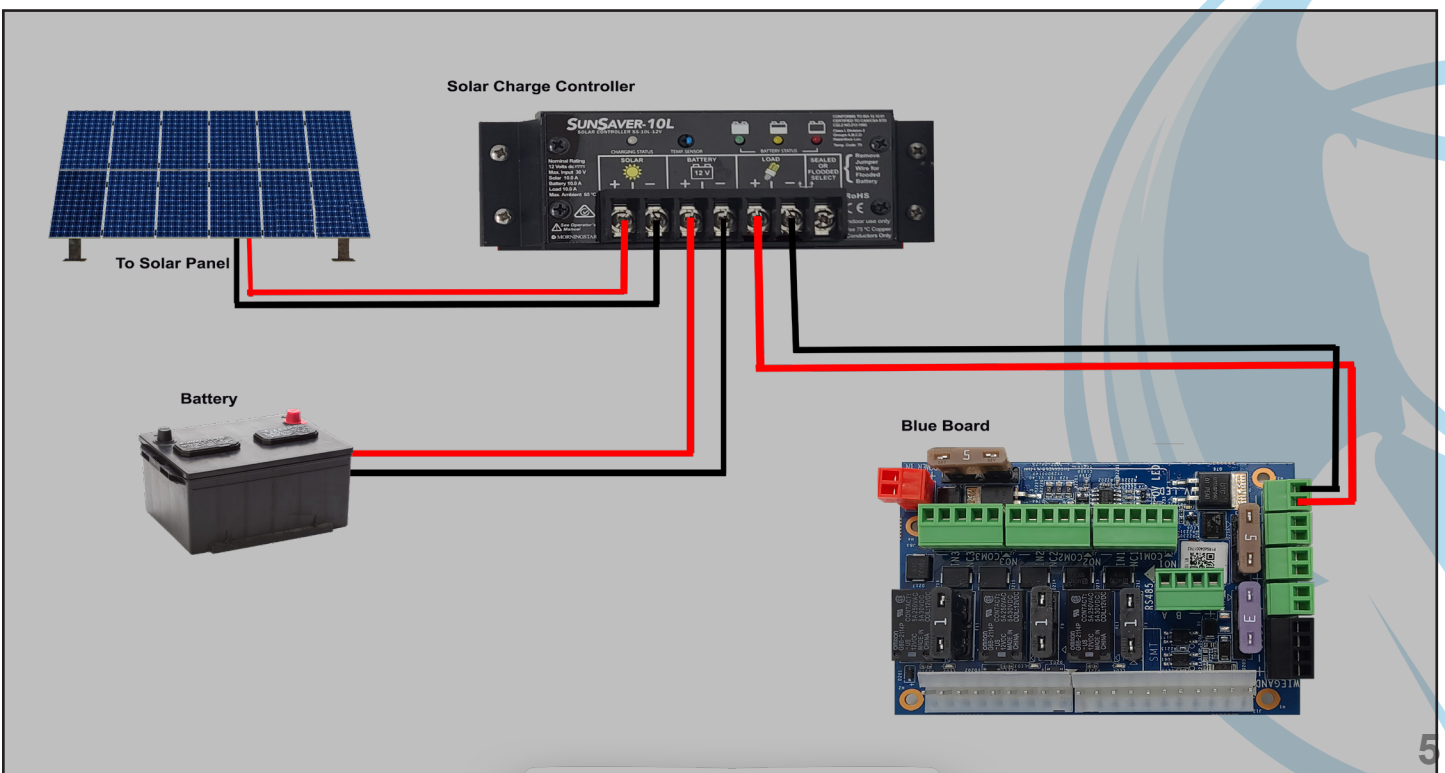
WATCHMAN®
Your Virtual Security Guard

by  cellgate

Wiring with Transformer

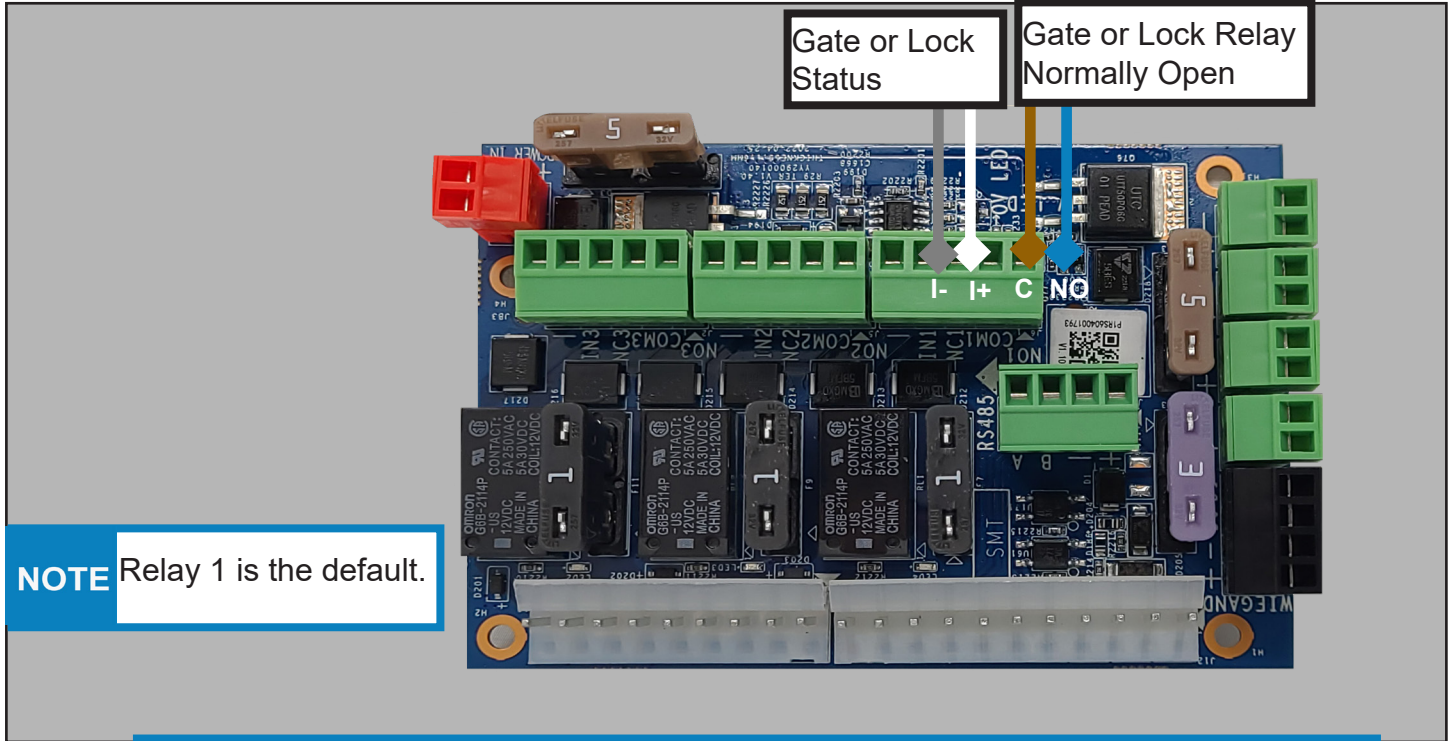


Wiring for Solar Power

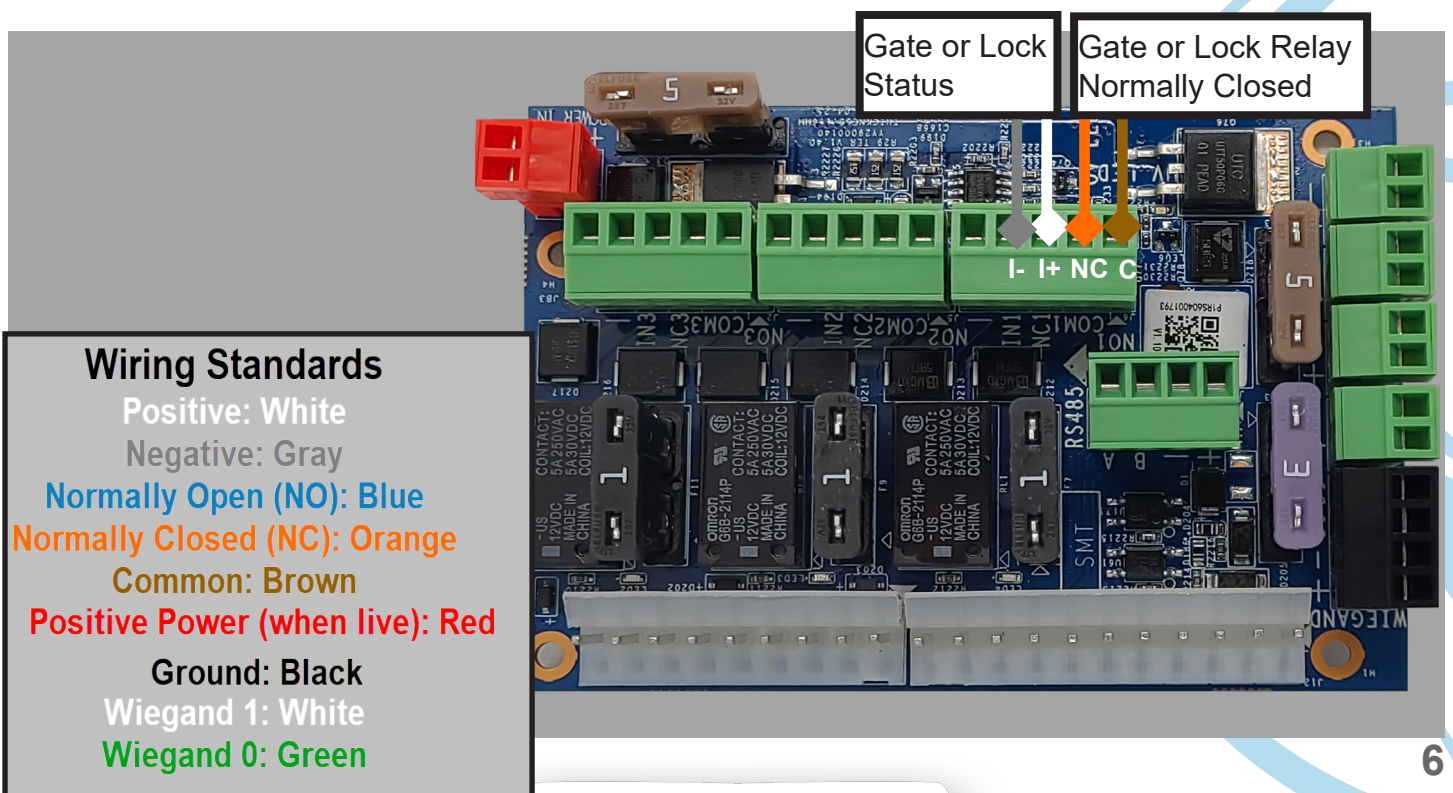




Dry Contact Relay, Normally Open Dry Contact No Voltage to Lock or Gate

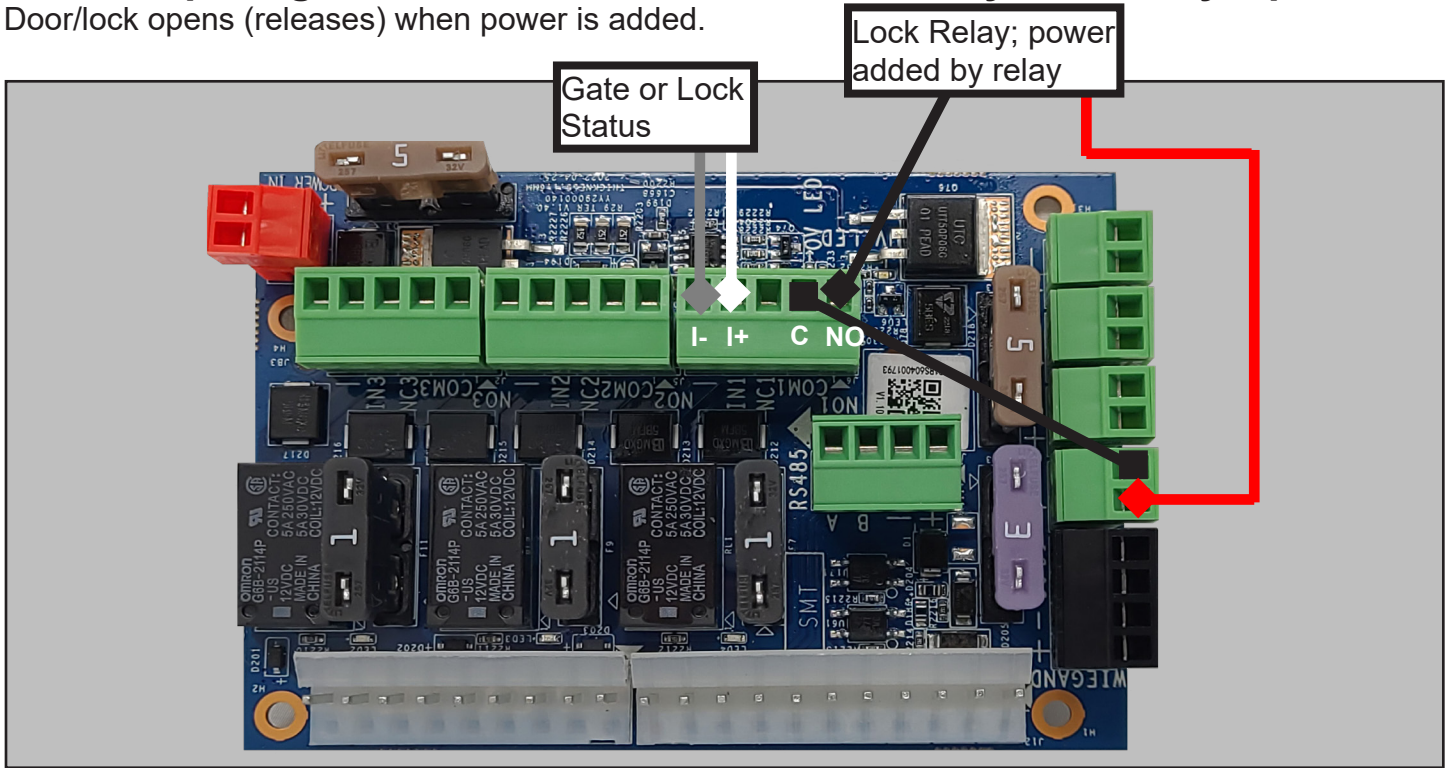


Dry Contact Relay, Normally Closed Dry Contact No Voltage to Lock or Gate

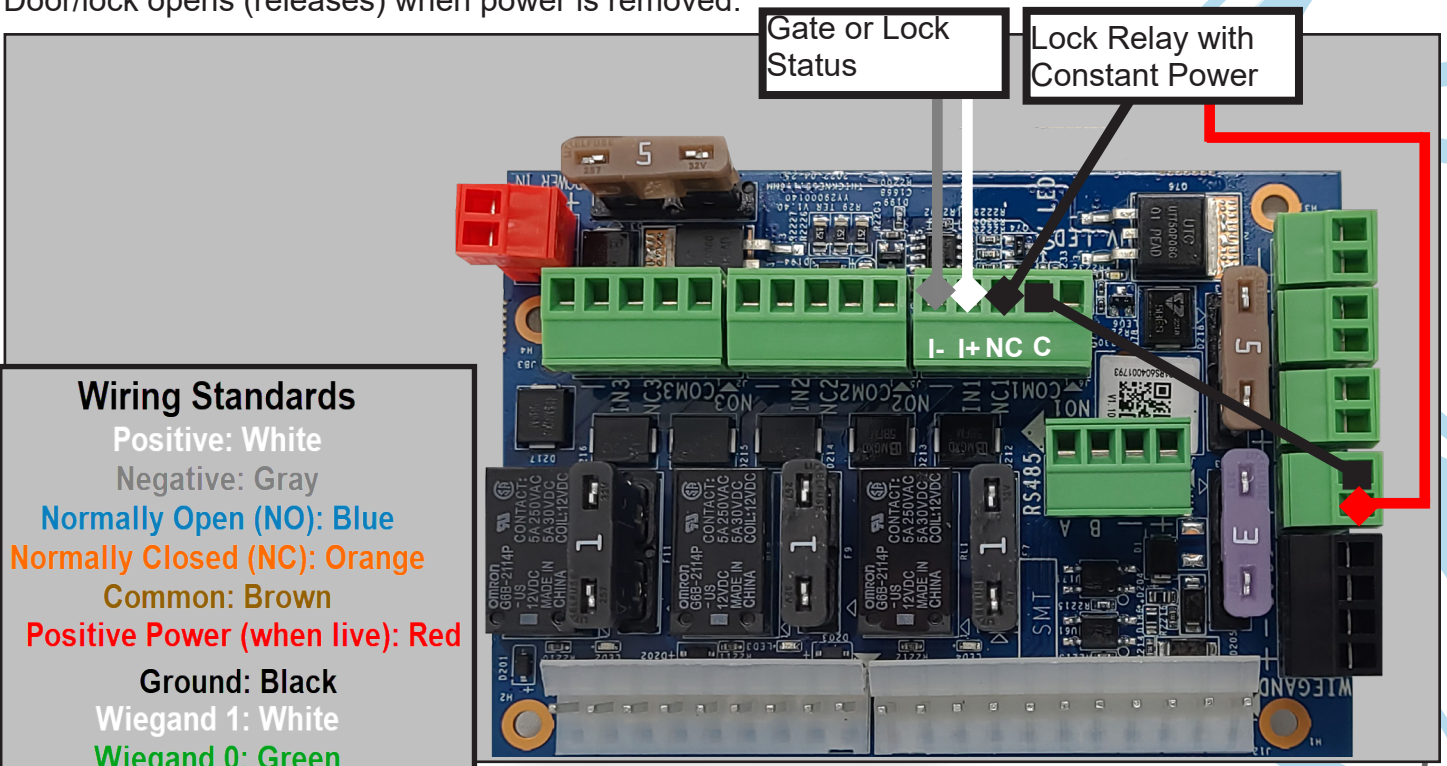




Lock Requiring Constant 12 V: Wet Contact Relay, Normally Open
Door/lock opens (releases) when power is added.



Lock Requiring Constant 12 V: Wet Contact Relay, Normally Closed
Door/lock opens (releases) when power is removed.

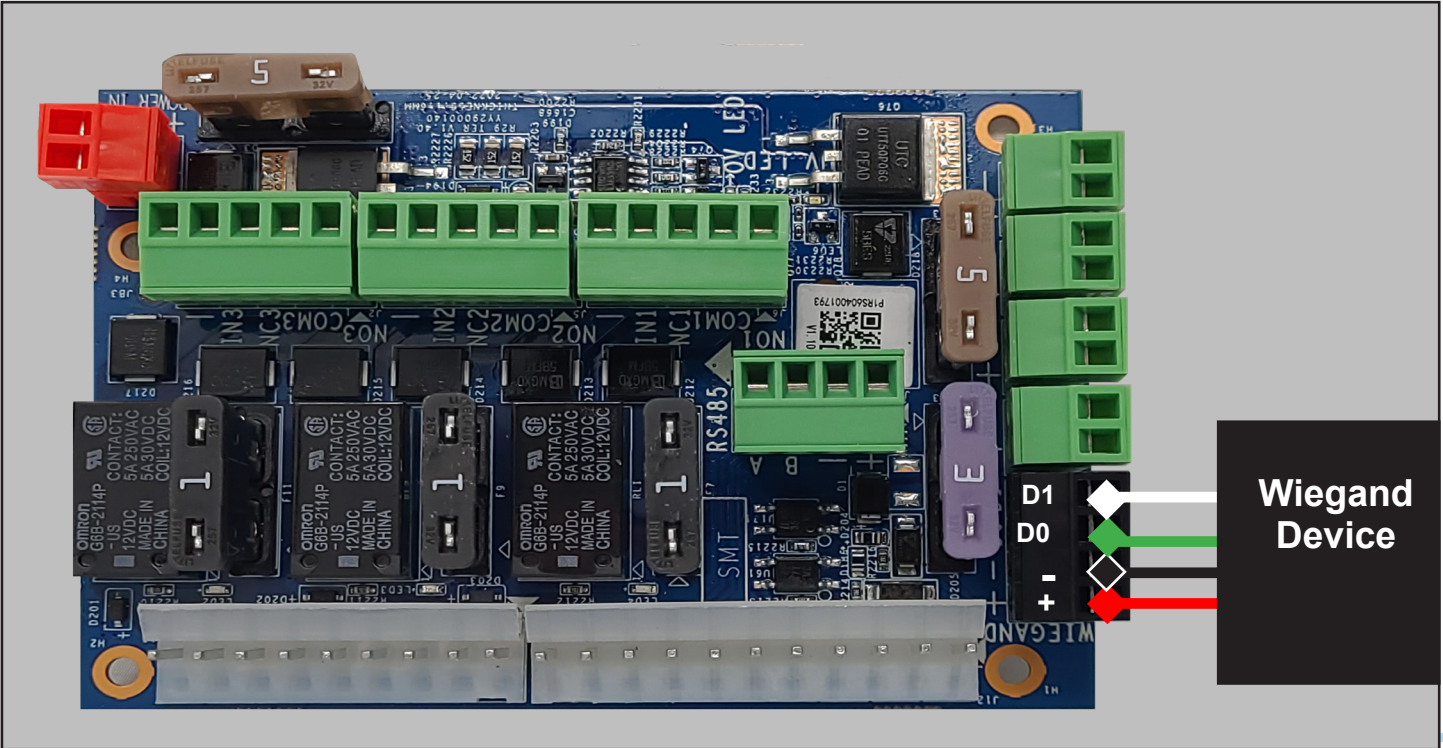


Wiring Standards

- Positive: White
- Negative: Gray
- Normally Open (NO): Blue
- Normally Closed (NC): Orange
- Common: Brown
- Positive Power (when live): Red
- Ground: Black
- Wiegand 1: White
- Wiegand 0: Green



Wiegand Wiring to Board and Direct to Faceplate, 26 Bit Reader To Interface Board





Expansion Boards

Install One Expansion Board

The WXL allows the addition of an expansion board.

Expansion Board with 6" cable and mounting hardware
Part#: CB-WIM 2000

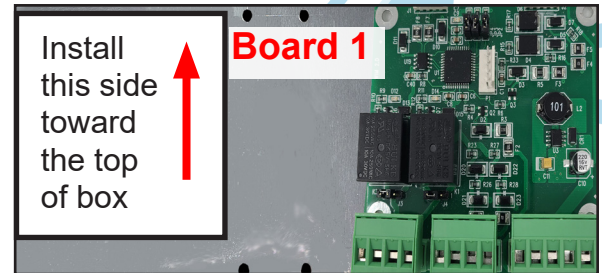
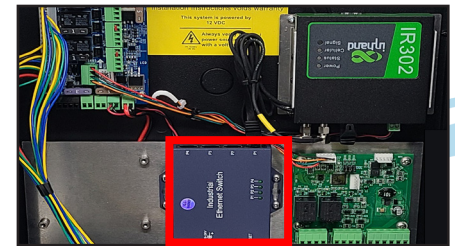
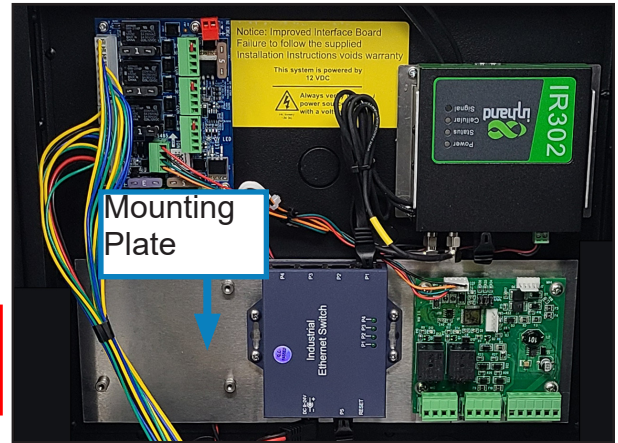
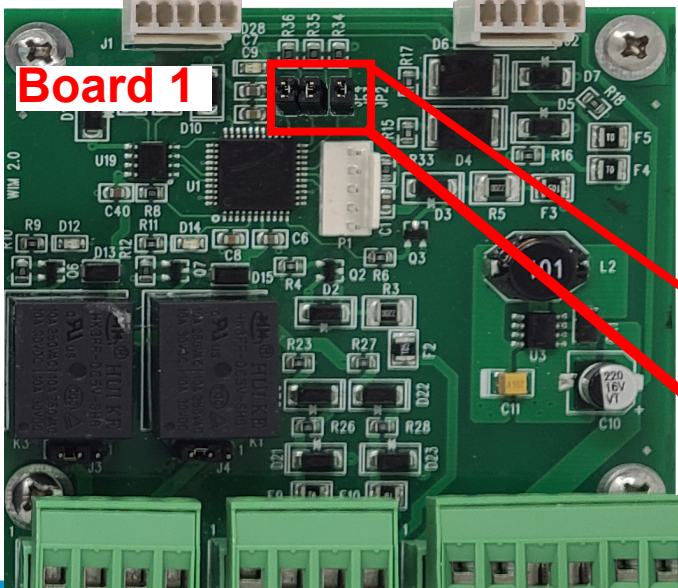
Metal Mounting Plate (with 15-inch cable) Part #: CB-WIM 4000

 **Power off the device before you begin!**

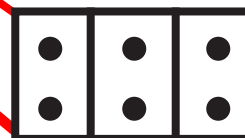
Installation

1. Use the key to open the WXL box.
The Industrial Ethernet Switch is labeled.
2. Unscrew and remove the Ethernet switch. Set the screws aside so you can use them to reattach the plate.
3. Install the mounting plate using the screws from the Ethernet switch.

Expansion Board 1 has jumpers on R36, R35, and R34. Ensure that Board 1 is on the right.



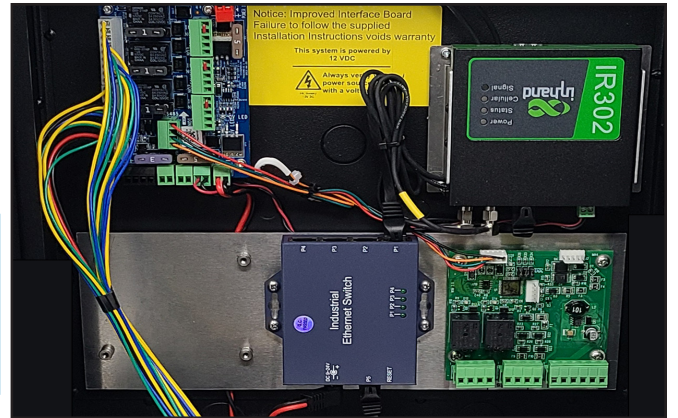
NOTE If you've ordered expansion boards, they may be already installed.



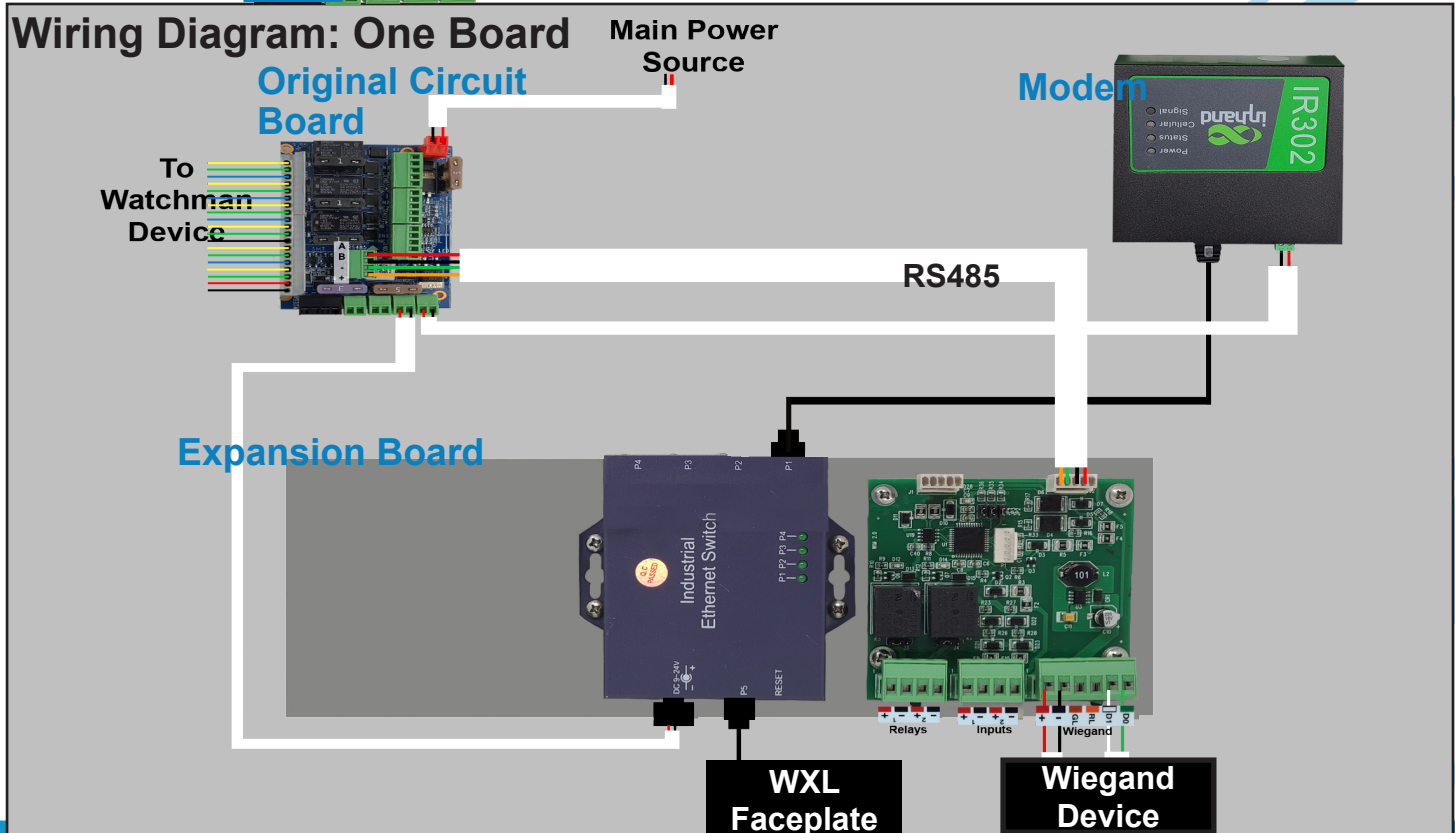
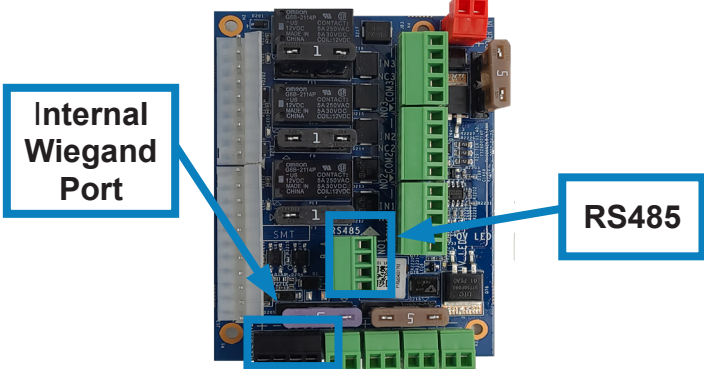
Jumpers: R36, R35, R34



4. Reattach the Ethernet switch, port side-up, in the center of the expansion board using the screws from the shipment.
5. Connect the cables included in the shipment and the Ethernet switch.
6. Connect the expansion board to the RS485 and original WXL circuit board, as shown below. Close the box and reattach it next to the gate. You are now ready to use your WXL.



NOTE The RS485 is on the right. The internal Wiegand port is on the left.
Do not plug the expansion board into the Wiegand.



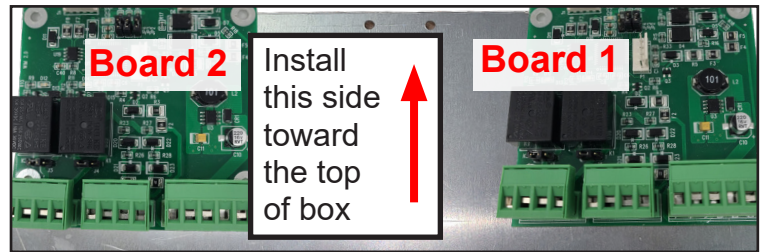
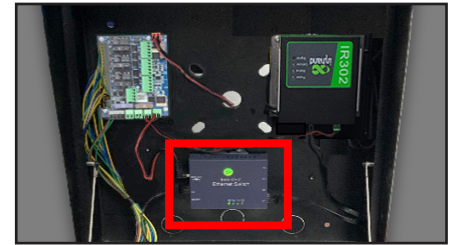


Add Another Expansion Board

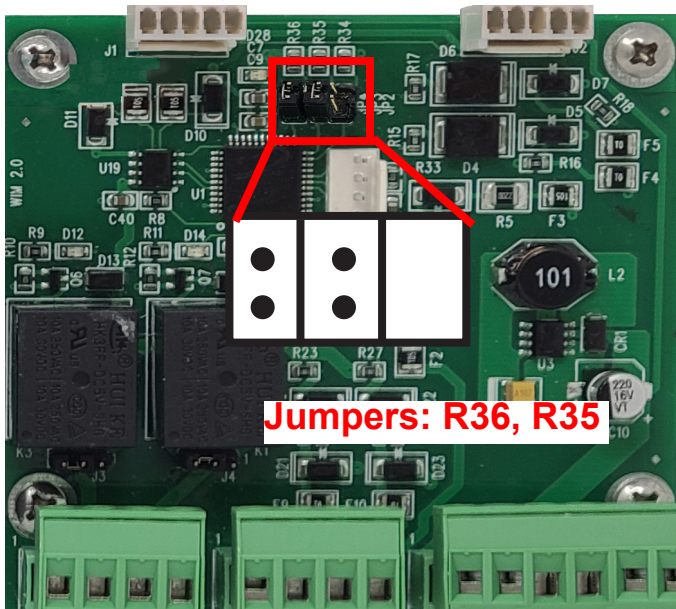
1. Unscrew and remove the Ethernet switch.
Set the screws aside so you can use them to reattach the switch.

2. Ensure that Board 1 is on the right and Board 2 is on the left. Expansion Board 1 has jumpers on R36, R35, and R34.

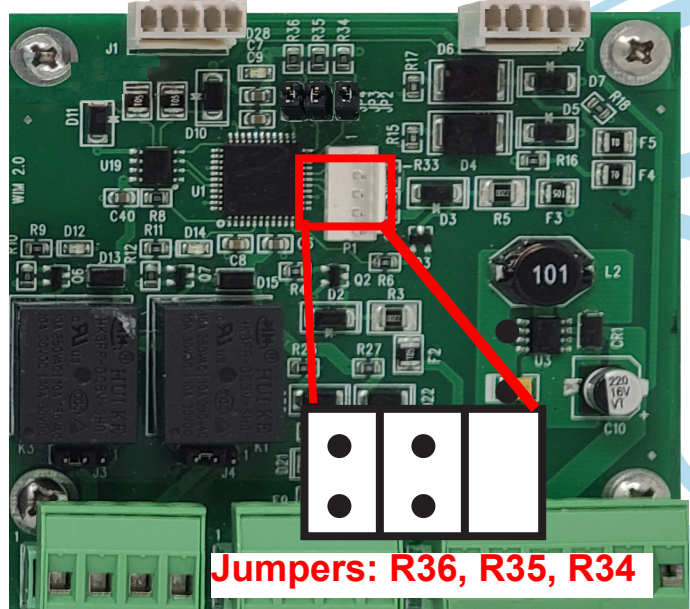
Expansion Board 2 has jumpers on R36 and R35 (see below).



Board 2

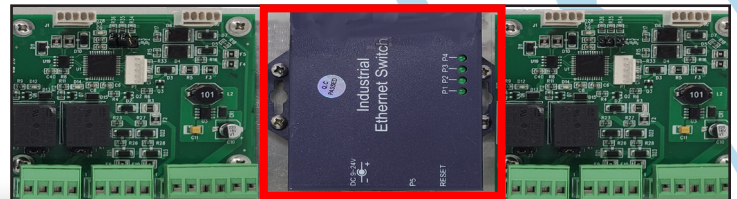


Board 1



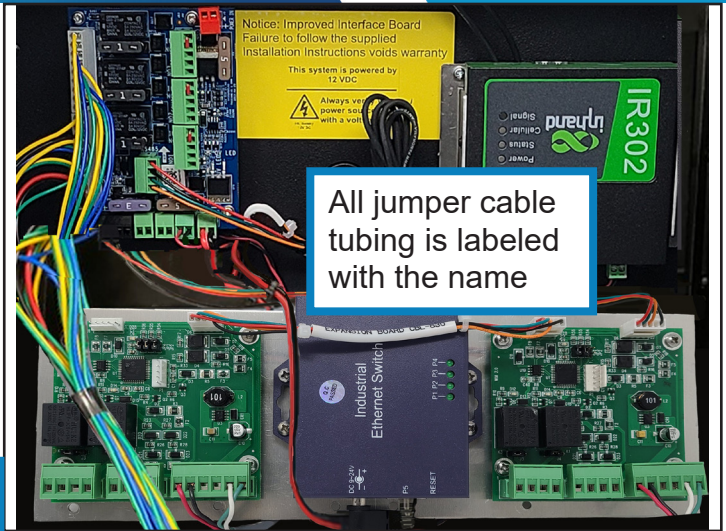
3. Reattach the Ethernet switch, port side-up, in the center of the expansion board.

4. Connect the board with the jumper cables.





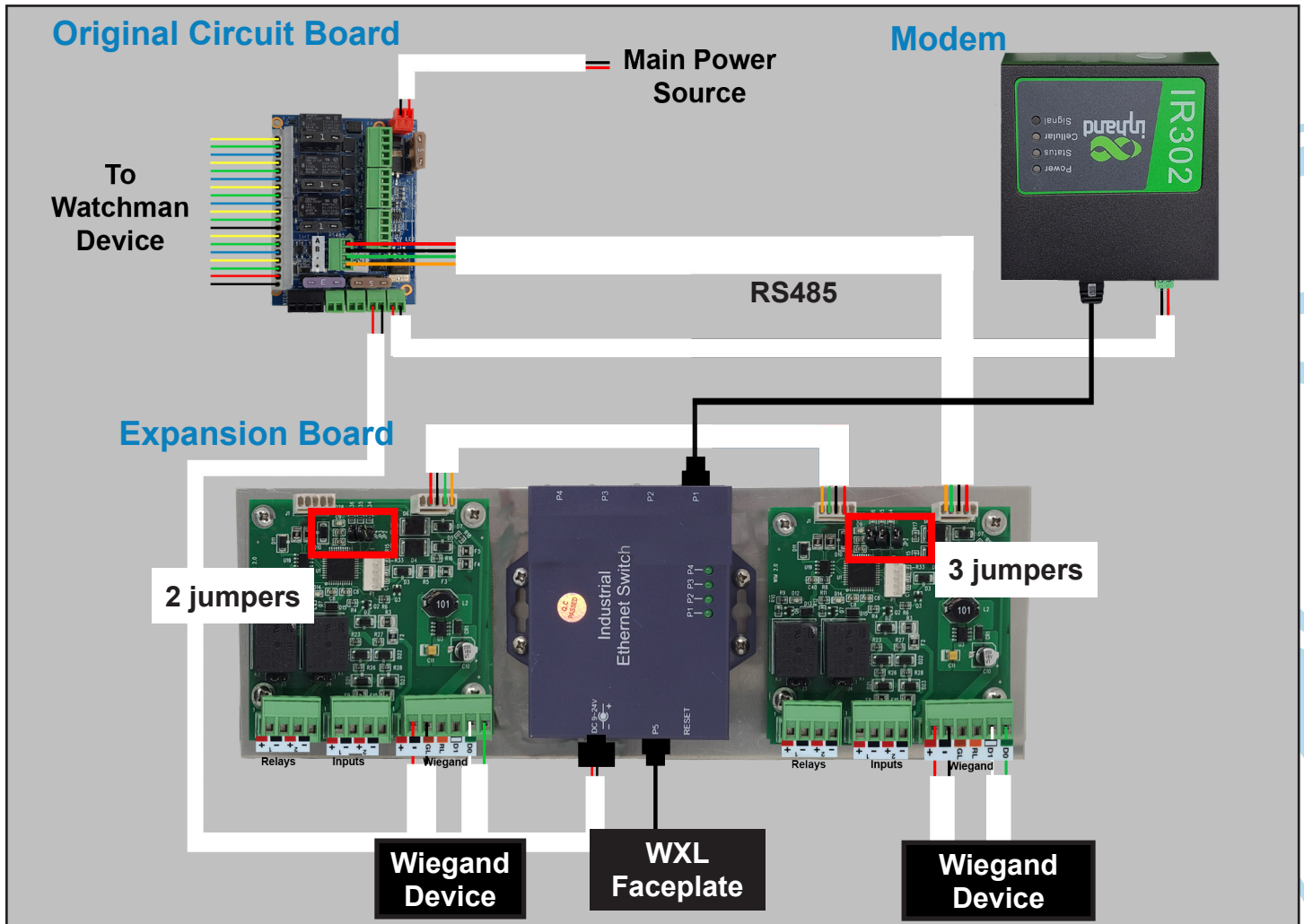
5. Install Expansion Board 2 on the left side of the mounting plate. Check that you have jumpers on R34 and R35. Connect the expansion board to the RS485 and original WXL circuit board, as shown below. Close the box and remount it. You are now ready to use your WXL.



Internal Wiegand Port

RS485

WXL Layout with Both Expansion Boards Connected



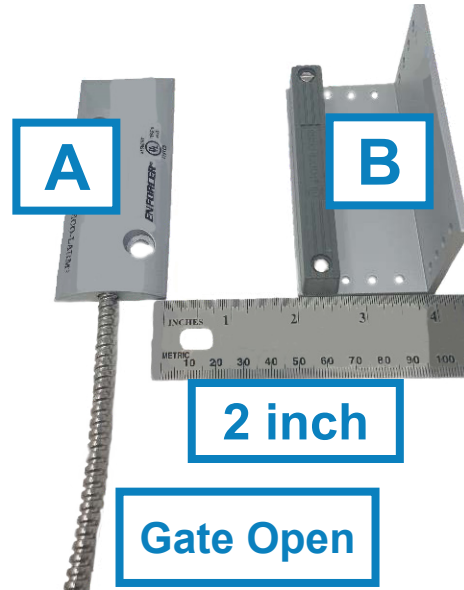
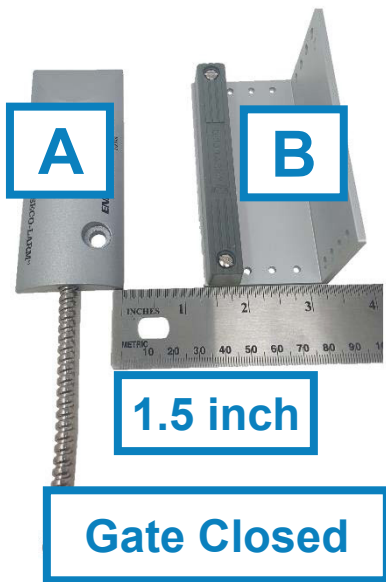


Magnetic Switch Setup

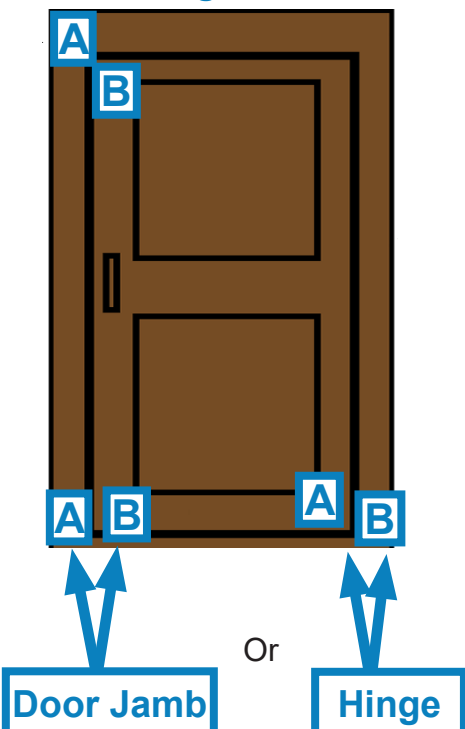
NOTE

Gate statuses can be inverted. If needed, please call CellGate to invert.

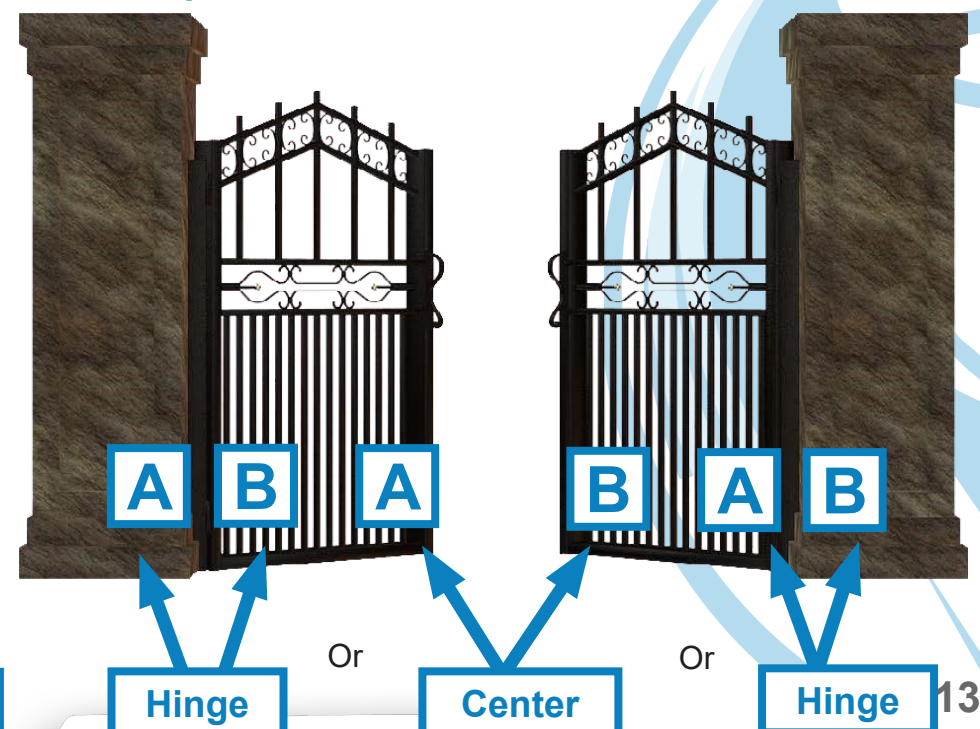
The Mag Switch can be placed anywhere that allows A and B to be pulled at least 2 inches away from each other when the gate is open and within 1.5 inches when the gate is closed.



Door Wiring



Gate Setup





Optional External Camera Wiring

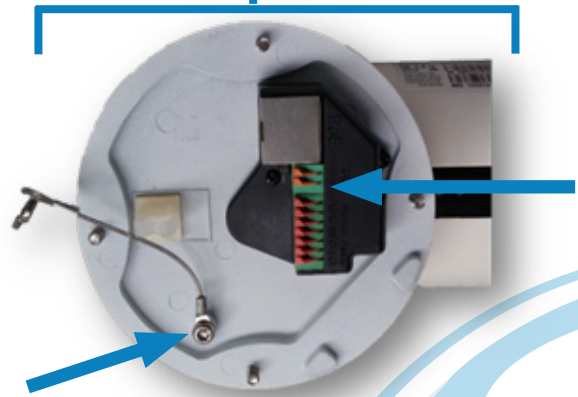


Do not make electrical connections to camera with the system energized. This will damage the camera and is not covered under the camera warranty.



Camera with power and Ethernet

 18 Gauge Wire Minimum for Install



Ethernet Connector

NOTE

Not compatible with VPN device numbers: CAM 292, 293, 295, 296.

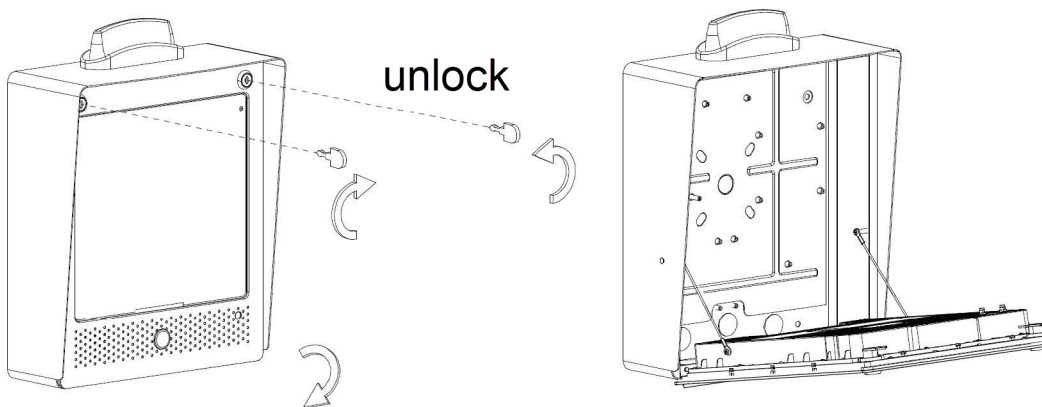
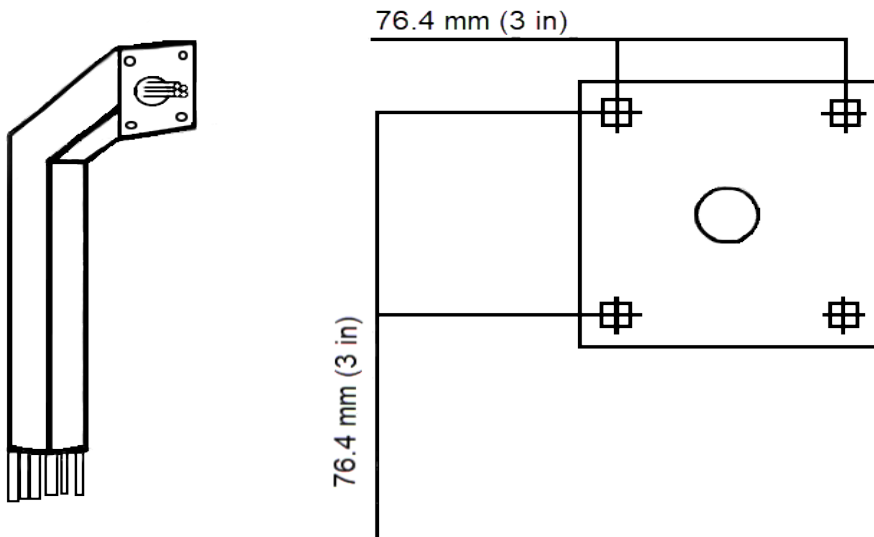
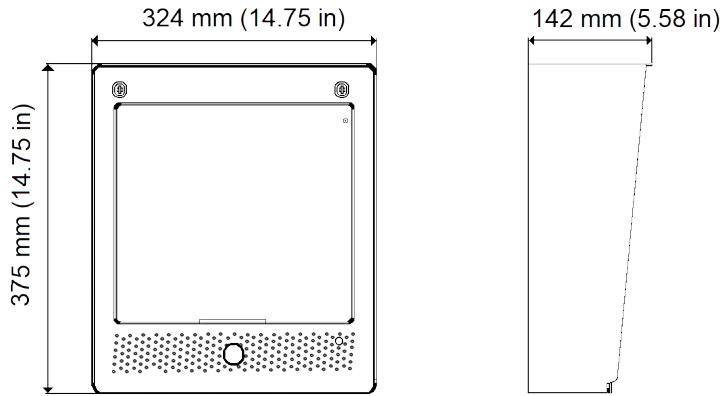




Mounting Illustrations

Mounting to Architectural Post (Standard Pedestal Mount)

Part #: ENC-WFM1005

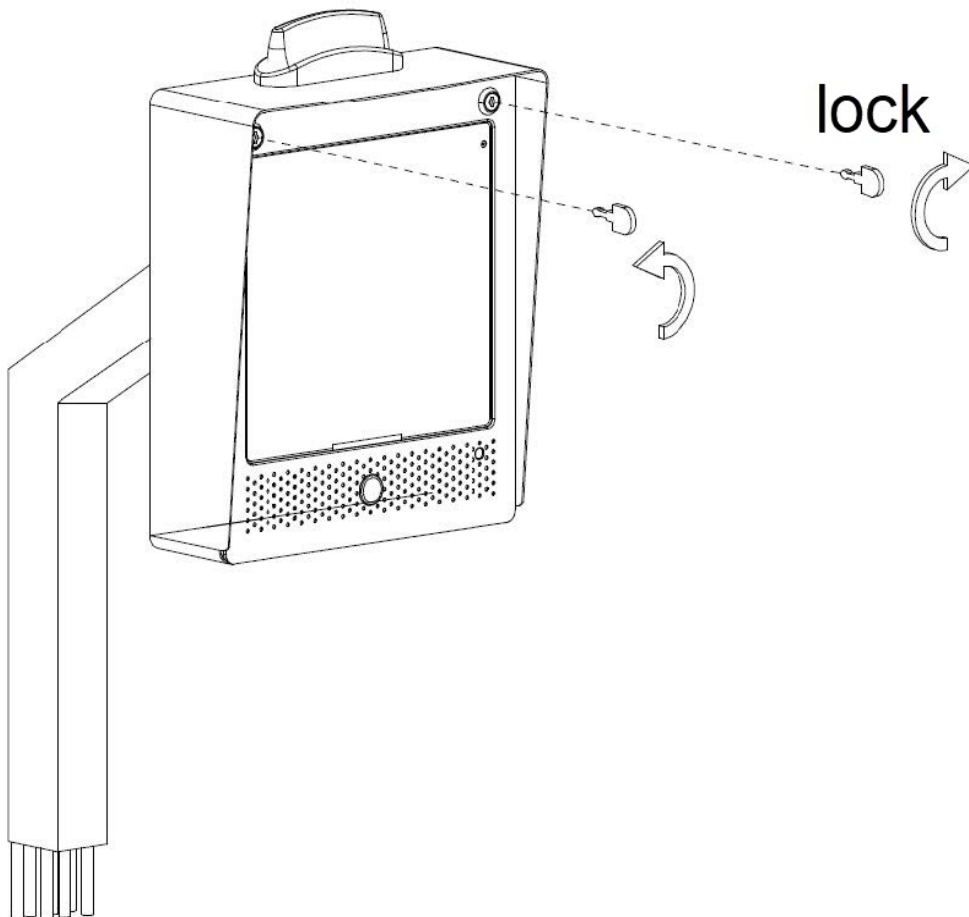
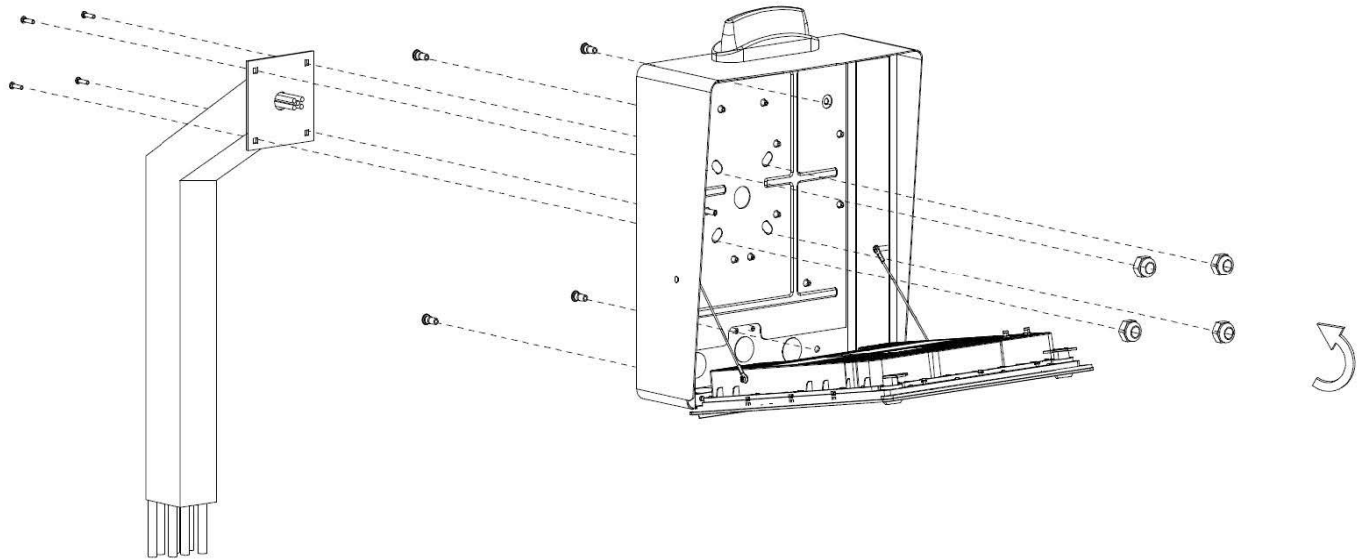




WATCHMAN[®]
Your Virtual Security Guard

by  cellgate

Mounting to Architectural Post (Standard Pedestal Mount) (Continued)



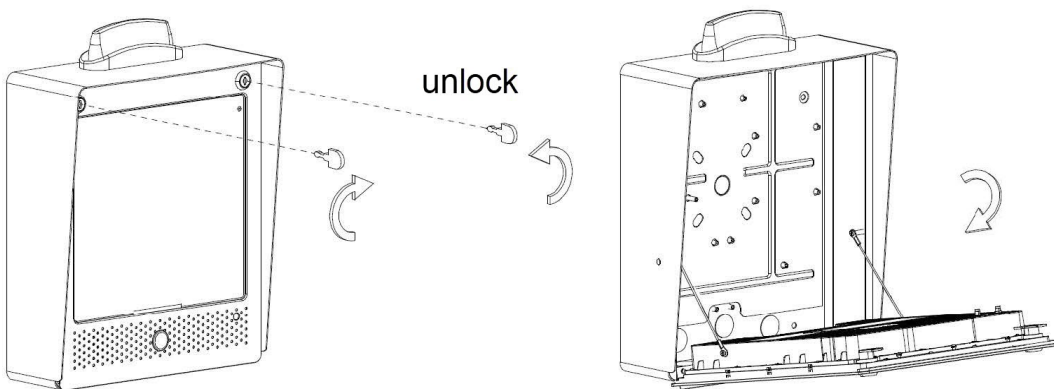
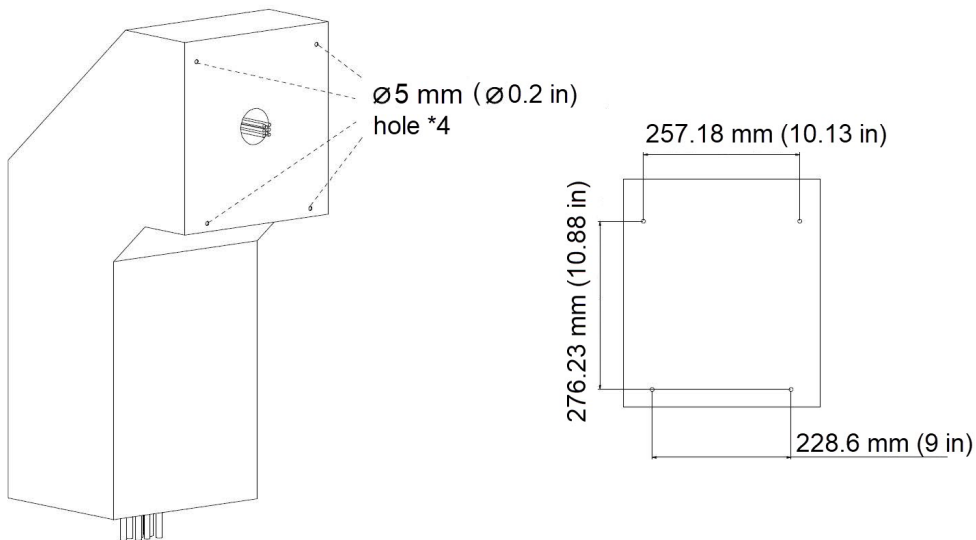
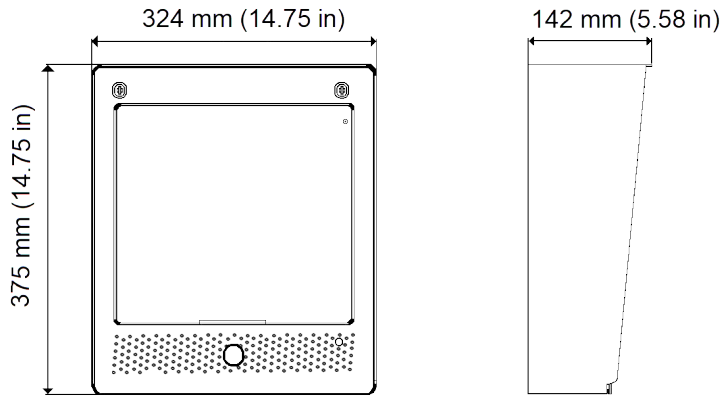


WATCHMAN[®]
Your Virtual Security Guard

by  cellgate

Mounting to Architectural Post (Type B)

Part #: ENC-WFM1006

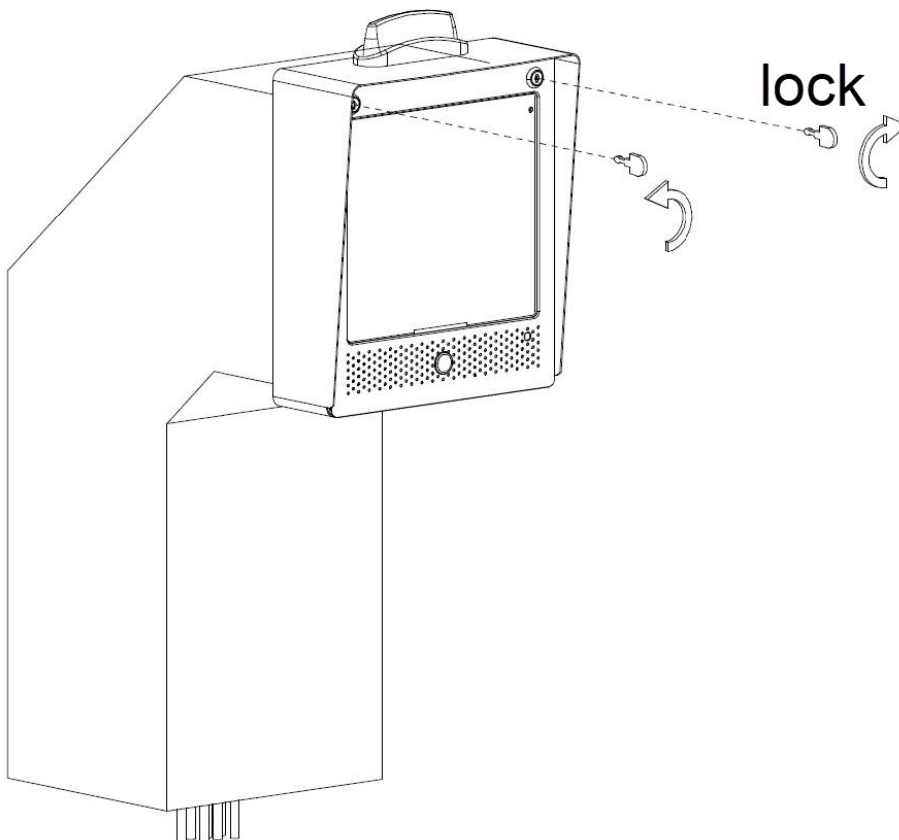
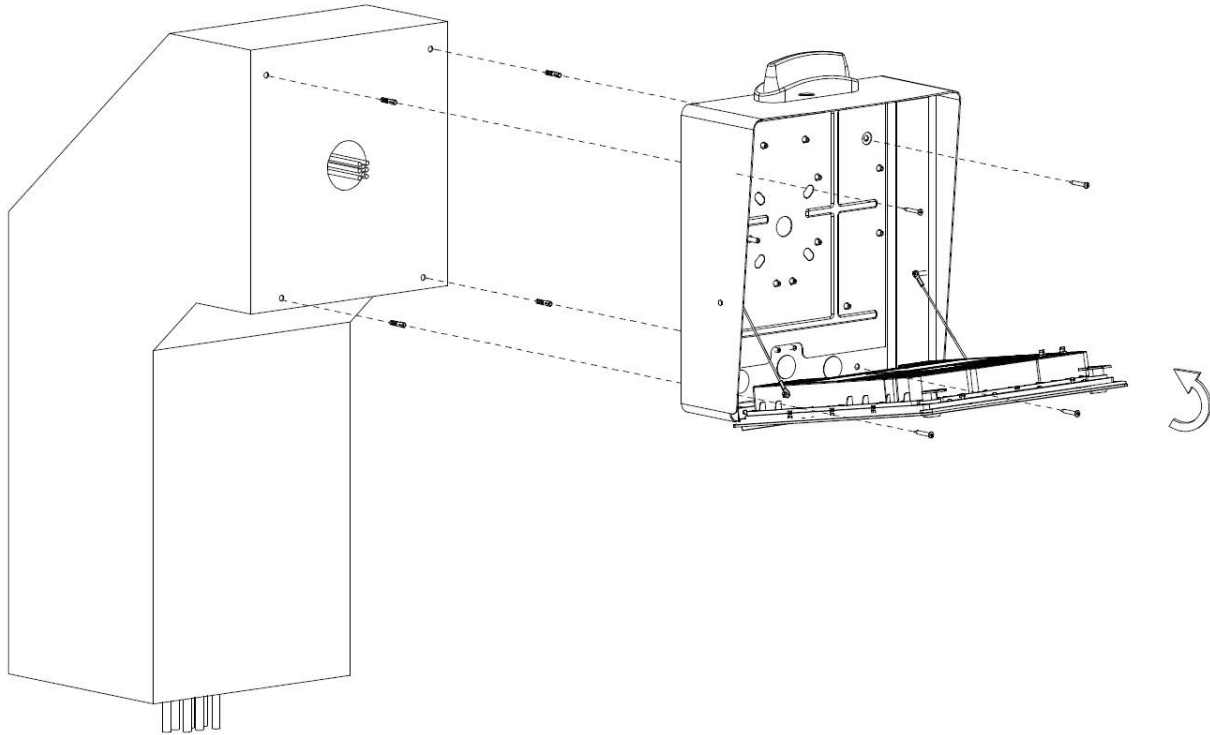




WATCHMAN[®]
Your Virtual Security Guard

by  cellgate

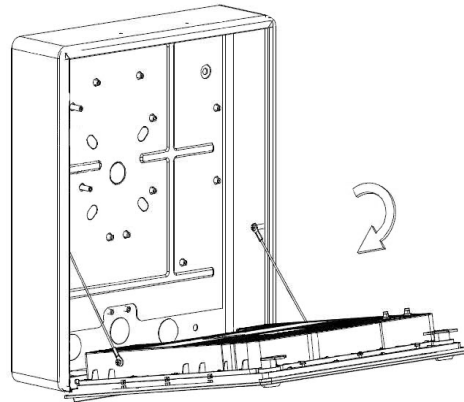
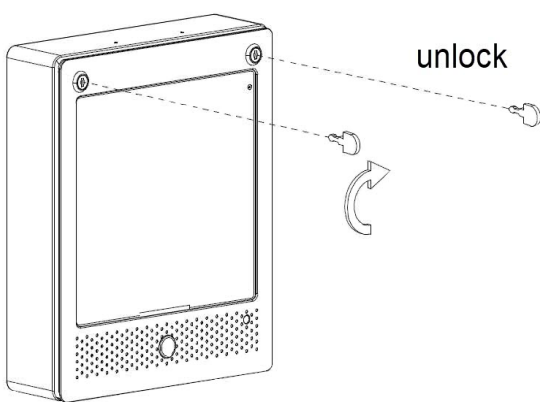
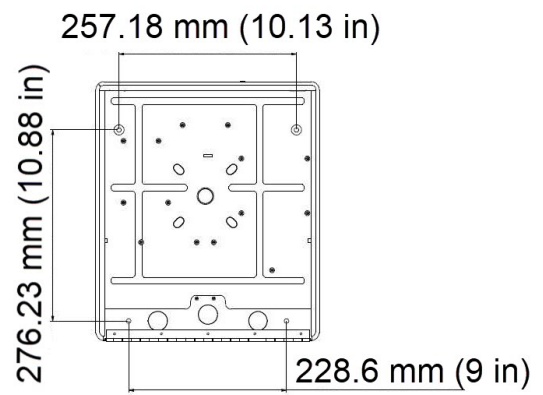
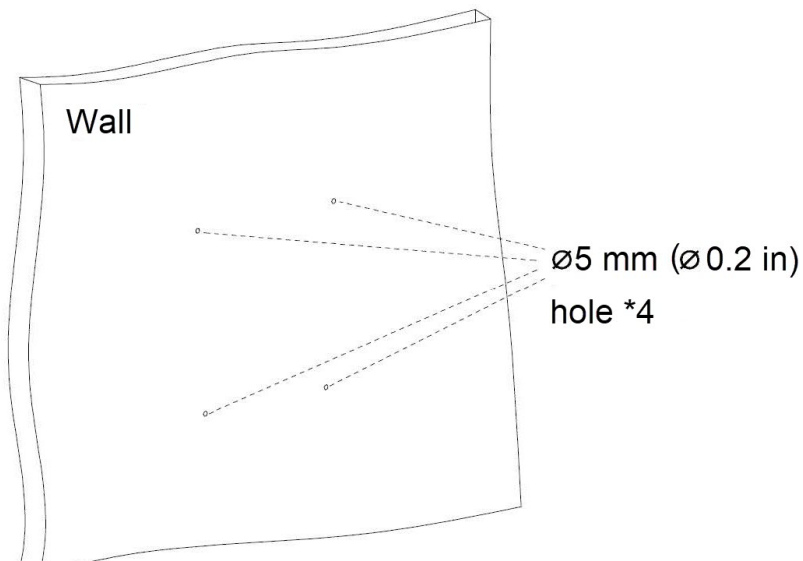
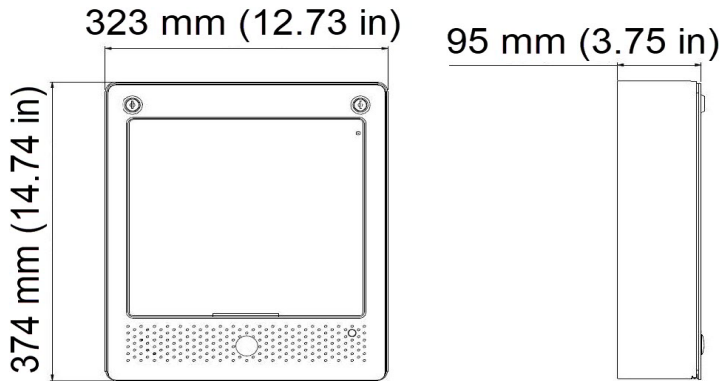
Mounting to Architectural Post (Type B) (Continued)





Mounting to Surface

Part #: AA1XLPE VZN

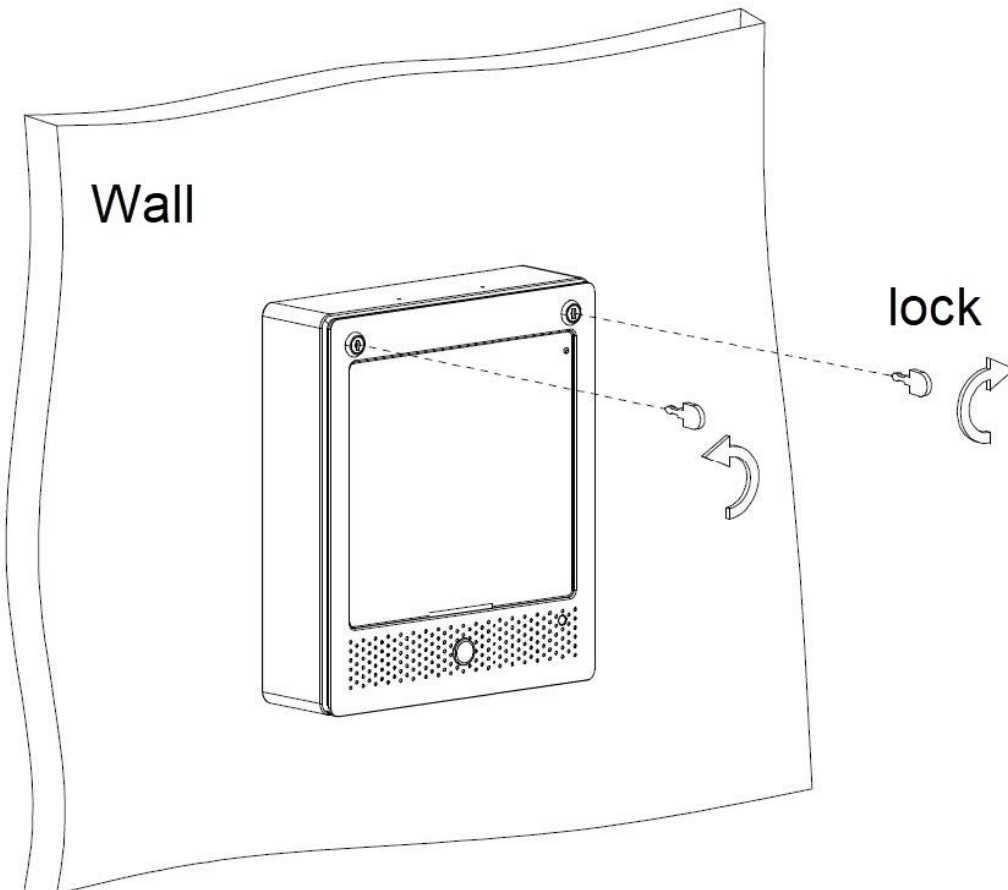
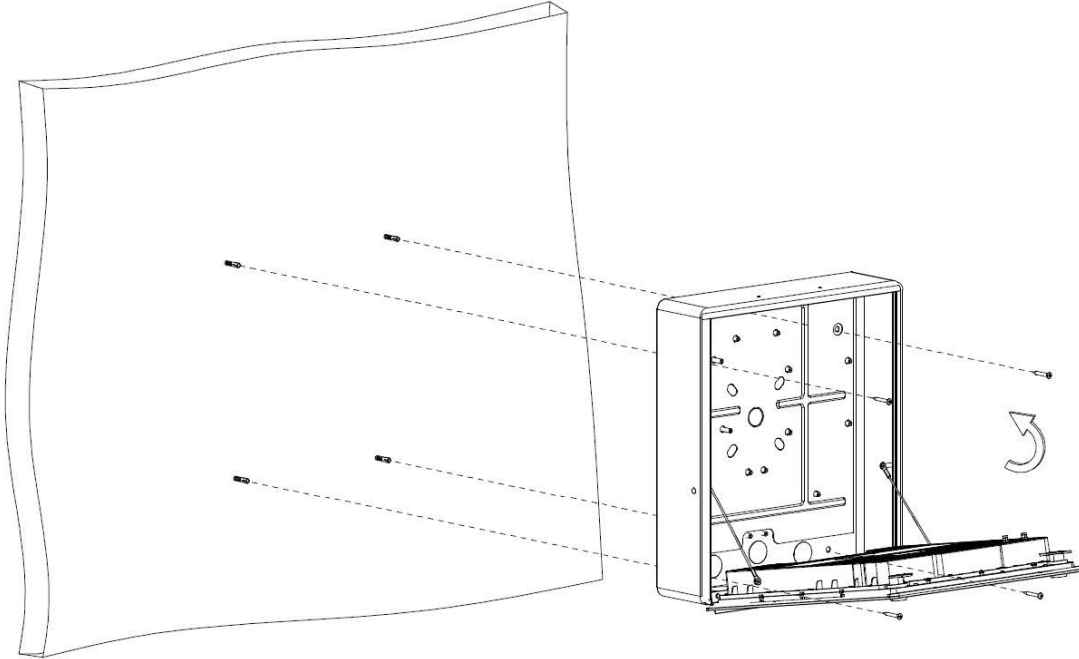




WATCHMAN®
Your Virtual Security Guard

by  cellgate

Mounting to Surface (Continued)



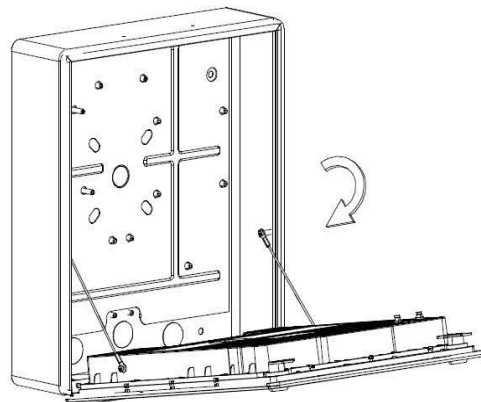
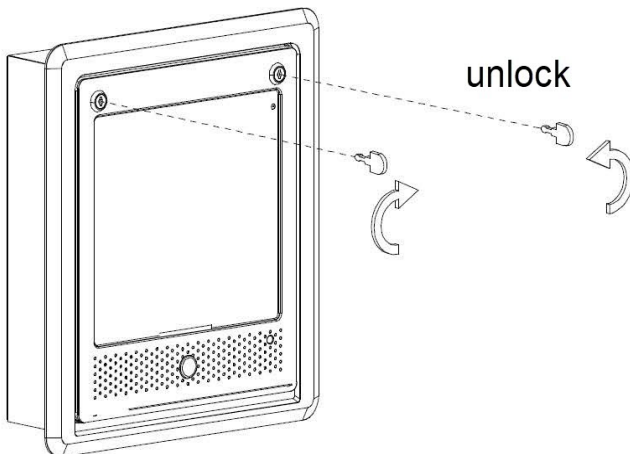
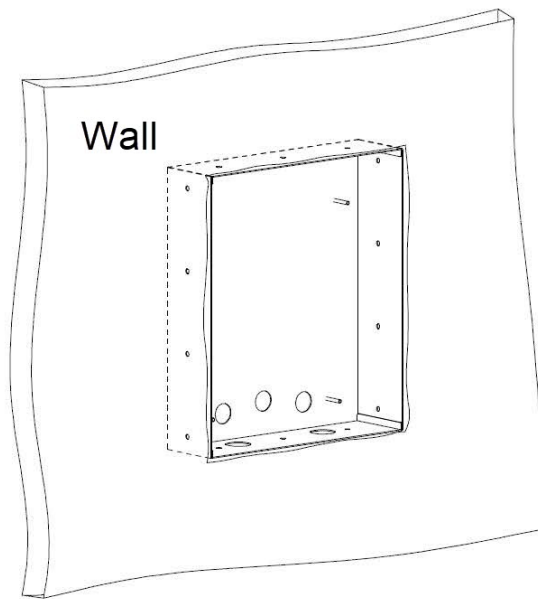
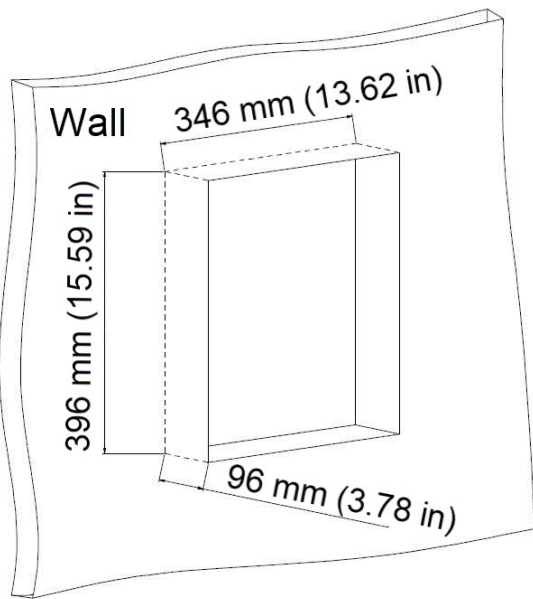
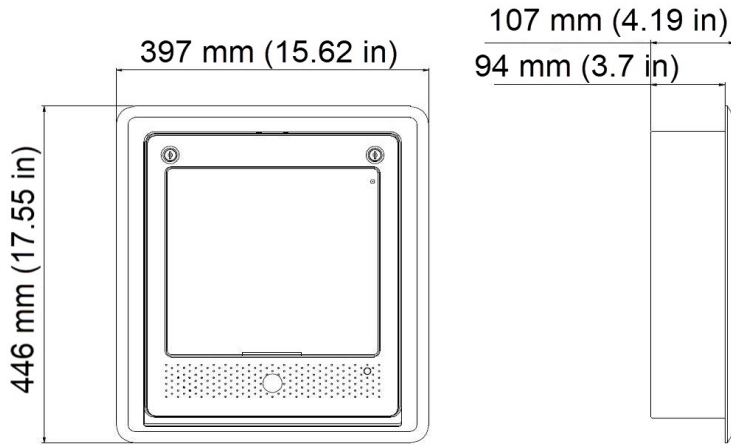


WATCHMAN[®]
Your Virtual Security Guard

by  cellgate

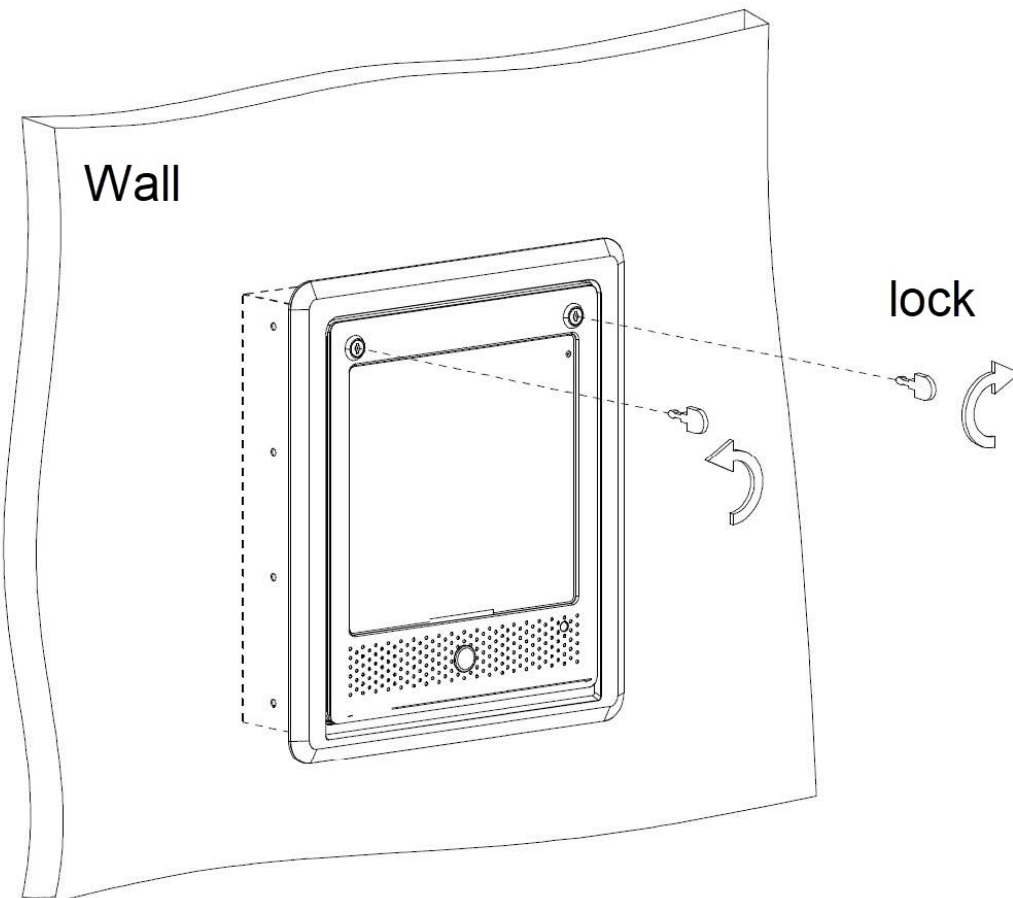
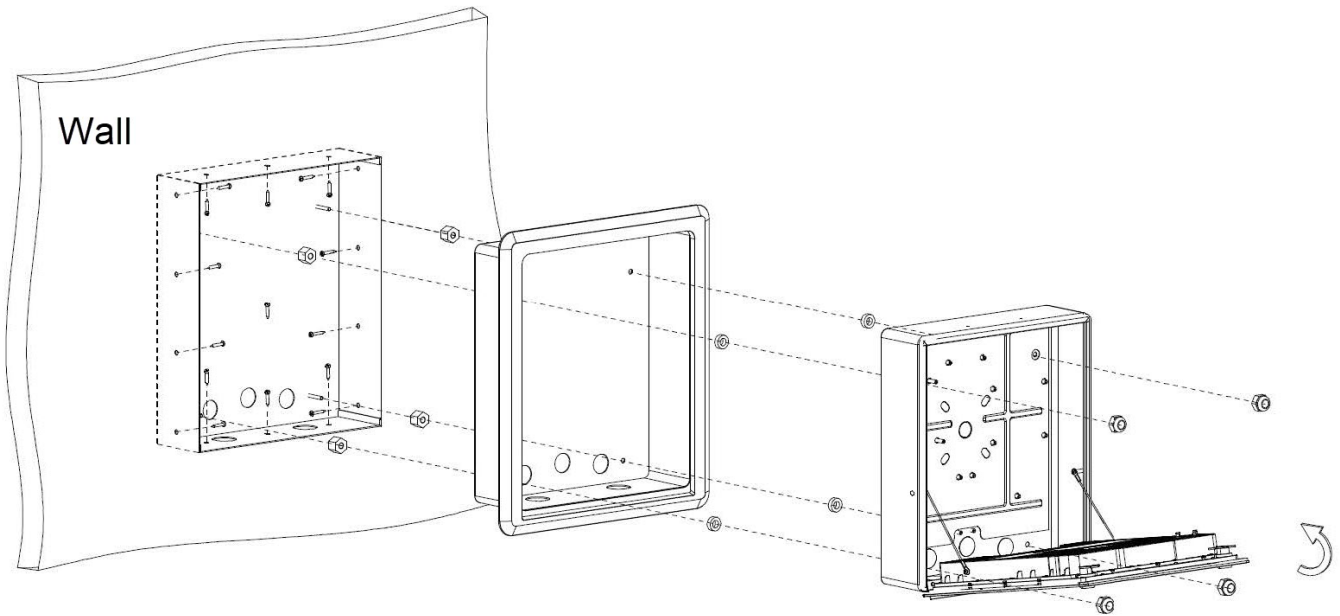
Flush Mounting

Watchman Part #: AA1XLPE,
Unit Part #: AA1XLFM, AA1XLFM
Flush Mount Kit Part #: ENC-
WFM1003, ENC-WFM1004





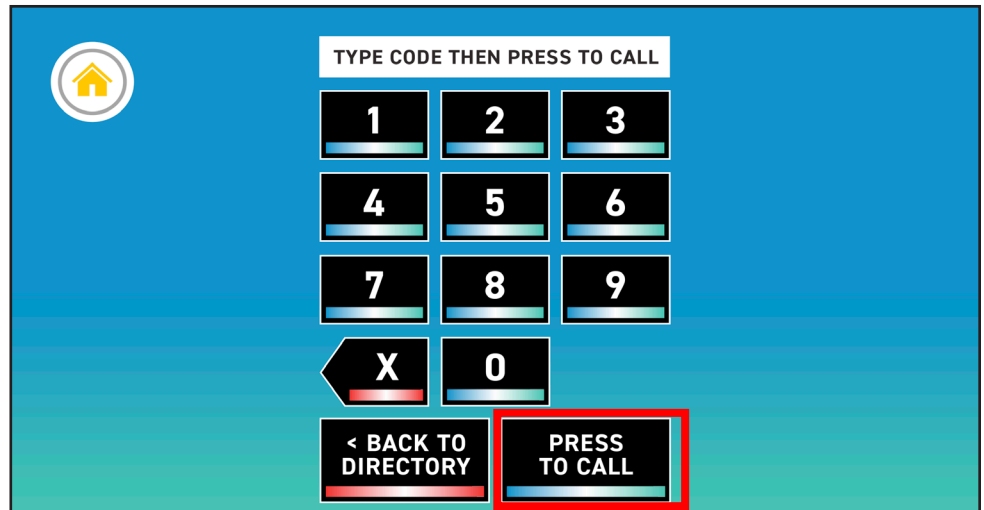
Flush Mounting (continued)



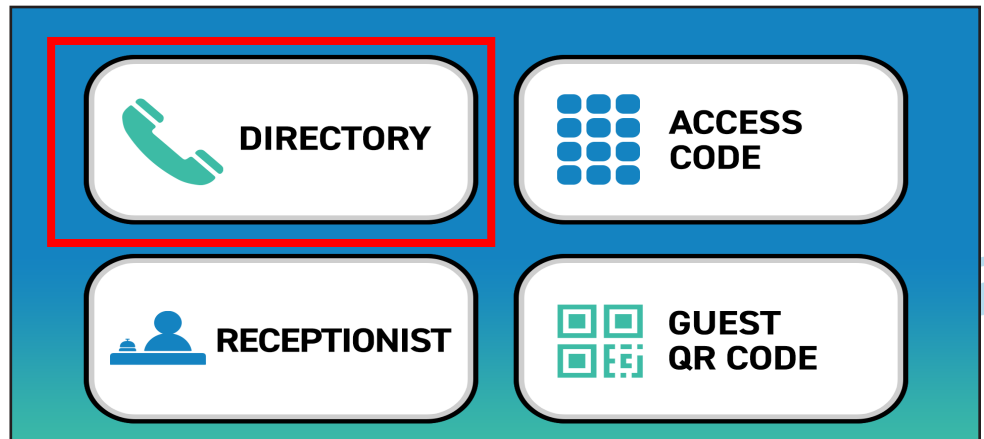


Testing

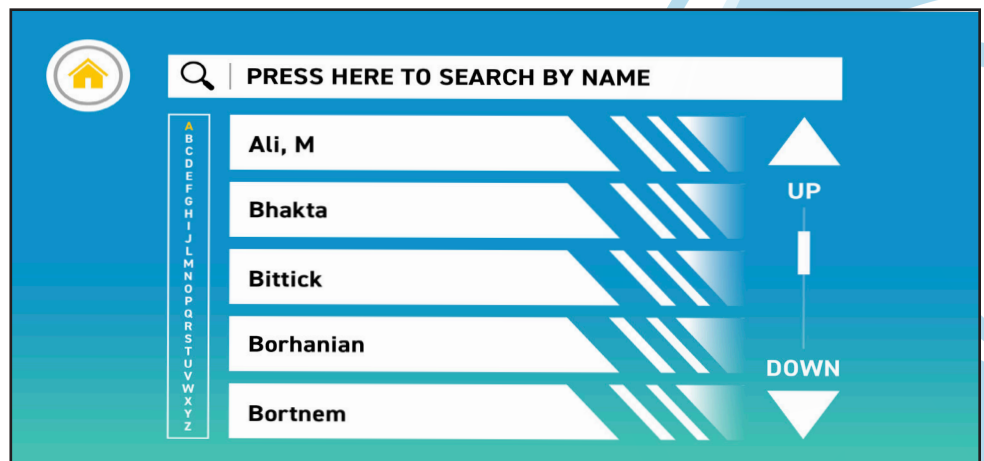
1. Enter the Testing Code, then tap the Enter. The Code activates Relay 1 (the gate should open).



2. From the Home screen, tap **Directory** to open the directory, which lists all callgroups.



3. Tap a callgroup to initiate call. An automated message will play confirming the call was successful.





External Camera Installation

If you're installing an External Camera, call CellGate Technical Support for testing.
Technical Support: (972) 231-1999, option 2.



Customer Information

Leave the following items with the Customer:

- Customer Information Packet
- WXL - Key
 - Installer keeps one key and gives one key to the customer

